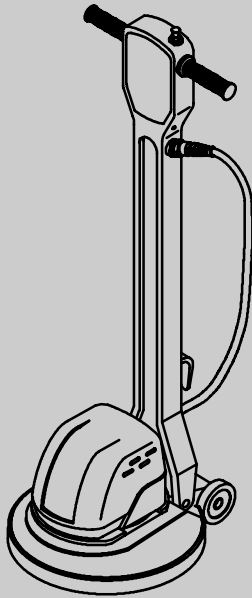




F-Series

Floor Machine
Máquina para pisos
Nettoyeuse de Sols

Operator and Parts Manual
Manual De Operador
Y Lista De Repuestos
Opérateur Manuel et
Liste Des Pièces



Model Part No.:

- 9001808 - F5 43 cm (17 in) 120V/60Hz
- 9001809 - F5 43 cm (17 in) 220-240V/60Hz
- 9001810 - F5 43 cm (17 in) 220-240V/50Hz
- 9001811 - F5 50 cm (20 in) 120V/60Hz
- 9001812 - F5 50 cm (20 in) 220-240V/60Hz
- 9001813 - F5 50 cm (20 in) 220-240V/50Hz
- 9001876 - F10 43 cm (17 in) DS 120V/60Hz CSA US/C
- 9001814 - F10 50 cm (20 in) DS 120V/60Hz CSA US/C
- 9001815 - F10 50 cm (20 in) DS 230V/60Hz



OPERATION


This manual is furnished with each new model. It provides necessary operation and maintenance instructions and an illustrated parts list.

Read this manual completely and understand the machine before operating or servicing it.

Use the illustrated Parts Lists to order parts. Before ordering parts or supplies, be sure to have your machine model number and serial number handy. Parts and supplies may be ordered by phone or mail from any authorized parts and service center, distributor or from any of the manufacturer's subsidiaries.


This machine will provide excellent service. However, the best results will be obtained at minimum costs if:

- The machine is operated with reasonable care.
- The machine is maintained regularly - per the machine care instructions provided.
- The machine is maintained with manufacturer supplied or equivalent parts.



PROTECT THE ENVIRONMENT

Please dispose of packaging materials, old machine components such as batteries, hazardous fluids such as antifreeze and oil, in a safe environmentally way according to your local waste disposal regulations.



Always remember to recycle.

MACHINE DATA

Please fill out at time of installation for future reference.

Model No.- _____

Install. Date - _____

Serial No.- _____

Tennant Company

PO Box 1452

Minneapolis, MN 55440

Phone: (800) 553-8033 or (763) 513-2850

www.tennantco.com

Specifications and parts are subject to change without notice.

Copyright ©2005, 2006, 2007, 2010 Tennant Company. All rights reserved.
Printed in U.S.A.

TABLE OF CONTENTS	(ESPAÑOL....11)	(FRANÇAIS....21)	
SAFETY PRECAUTIONS	4	RECOMMENDED STOCK ITEMS	9
GROUNDING INSTRUCTIONS	5	TROUBLE SHOOTING	9
SAFETY LABEL	5	SPECIFICATIONS	10
MACHINE COMPONENTS	6	MACHINE DIMENSIONS	10
MACHINE SETUP	6	ELECTRICAL DIAGRAMS	32
INSTALLING PAD DRIVER / PAD / BRUSH	6	PARTS LIST	34
MACHINE OPERATION	7	HANDLE GROUP	34
OPERATING MACHINE	7	BASE GROUP (SINGLE SPEED MODEL) ..	36
OPERATING THE OPTIONAL		BASE GROUP (DUAL SPEED MODEL)	38
SOLUTION TANK	8	REPLACEMENT BRUSHES AND	
CLEANING CARPETS	8	PAD DRIVER GROUP	40
MACHINE MAINTENANCE	8	OPTIONS	41
TRANSPORTING MACHINE	8	SOLUTION TANK GROUP	41
STORING MACHINE	9		


OPERATION

SAFETY PRECAUTIONS

This machine is intended for commercial use only. It is designed exclusively to scrub floors in an indoor environment and is not constructed for any other use. Use only recommended pads/brushes and commercially available floor cleaners and waxes intended for machine application.

All operators must read, understand and practice the following safety precautions.

The following warning alert symbol and the "FOR SAFETY" heading are used throughout this manual as indicated in their description:

 **WARNING:** To warn of hazards or unsafe practices which could result in severe personal injury or death.

FOR SAFETY: To identify actions which must be followed for safe operation of equipment.

Failure to follow these warnings may result in personal injury, electrical shock, fire or explosion.


 **WARNING:** Fire Or Explosion Hazard:

- **Never Use Flammable Liquids Or Operate Machine in Or Near Flammable Liquids, Vapors Or Combustible Dusts.**

This machine is not equipped with an explosion proof motor. The electric motor will spark upon start up and during operation which could cause a flash fire or explosion if machine is used in an area where flammable vapors/liquids or combustible dusts are present.

 **WARNING:** Electrical Hazard. Do Not Operate With Damaged Power Cord. Do Not Modify Plug. Unplug Power Cord Before Servicing Machine

If the supply cord is damaged or broken, it must be replaced by the manufacturer or it's service agent or a similarly qualified person in order to avoid a hazard.

 **WARNING:** Electrical Shock Hazard. Do Not Use Outdoors. Do Not Expose to Rain. Store Indoors.

The following information signals potentially dangerous conditions to the operator or equipment:

FOR SAFETY:

1. Do not operate machine:

- With flammable liquids or near flammable vapors as an explosion or flash fire may occur.
- Unless trained and authorized.
- Unless operator manual is read and understood.
- Unless cord is properly grounded.
- With damaged cord or plug.
- If not in proper operating condition.
- In outdoor areas.
- In standing water.
- With the use of an extension cord.

2. Before starting machine:

- Make sure all safety devices are in place and operate properly.
- Remove loose objects on floor to prevent dangerous projectiles if struck by spinning pad.
- Place wet floor signs as needed.

3. When using machine:

- Stay clear of spinning pad.
- Do not pull machine by plug or cord.
- Do not run machine over cord.
- Do not pull cord around sharp edges or corners.
- Do not close doors on cord.
- Do not unplug by pulling on cord.
- Do not stretch cord.
- Do not handle plug with wet hands.
- Keep cord away from heated surfaces.
- Follow mixing and handling instructions on chemical containers.
- Never activate the power when the handle is in the upright position.
- Do not release handles until pad comes to a complete stop.
- Go slow on inclines and slippery surfaces.
- Wear non-slip shoes.
- Report machine damage or faulty operation immediately.
- Never allow children to play on or around.

4. Before leaving or servicing machine:

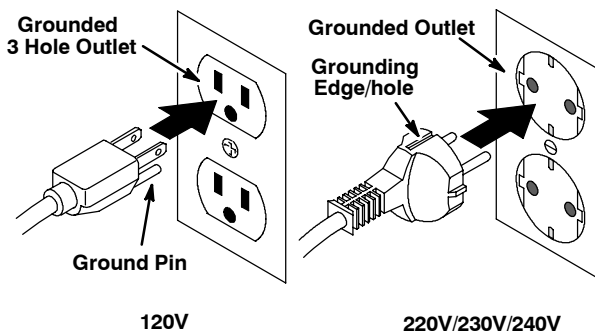
- Turn off machine.
- Unplug cord from wall outlet.

5. When servicing machine:

- Unplug cord from wall outlet.
- Avoid moving parts. Do not wear loose jackets, shirts, or sleeves.
- Use manufacturer supplied or approved replacement parts.

- All repairs must be performed by a qualified service person.
 - Do not modify the machine from its original design.
6. When transporting machine:
- Get assistance when lifting machine.
 - Unplug cord from wall outlet.
 - Use tie-down straps to secure machine to truck or trailer.

120V Models: This machine is for use on a nominal 120-volt circuit and has a grounding attachment plug that looks like the plug illustrated. Make sure that the machine is connected to an outlet having the same configuration as the plug. No adaptor should be used with this machine.



GROUNDING INSTRUCTIONS

Machine must be grounded. If it should malfunction or breakdown, grounding provides a path of least resistance for electrical current to reduce the risk of electrical shock. This machine is equipped with a cord having an equipment-grounding conductor and grounding plug. The plug must be plugged into an appropriate outlet that is properly installed in accordance with all local codes and ordinances. Do not remove ground pin; if missing, replace plug before use.

SAFETY LABEL

The safety label appears on the machine in the location indicated. Replace label if it is missing or becomes damaged or illegible.

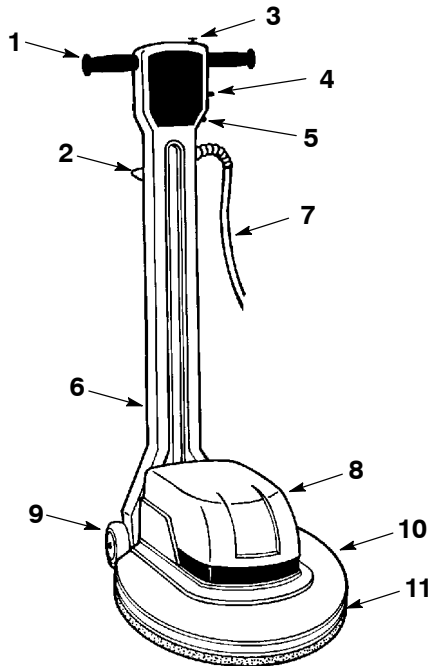


WARNING LABEL - LOCATED ON BACK SIDE OF MACHINE HANDLE.

⚠ WARNING	
EXPLOSION, FIRE AND SHOCK HAZARD. AVOID INJURY.	
<ul style="list-style-type: none"> • Do Not Use Flammable Liquids or Operate Near Flammable Liquids, Vapors or Combustible Dusts. • Do Not Operate With Damaged Power Cord. Do Not Modify Plug. Unplug Power Cord Before Servicing Machine. • Do Not Use Outdoors. Do Not Expose to Rain. Store Indoors. 	
⚠ AVERTISSEMENT	
RISQUE D'EXPLOSION, D'INCENDIE ET DE DÉCHARGE. ÉVITEZ LES BLESSURES.	
<ul style="list-style-type: none"> • N'utilisez Pas Près de Liquides Inflammables ou Près de Liquides ou Vapeurs Inflammables ou Poussières Combustibles. • N'utilisez Pas la Machine Avec un Cordon d'Alimentation Endommagé. Ne Modifiez Pas la Prise. Débranchez le Cordon d'Alimentation Avant d'Entretenir la Machine. • N'utilisez Pas en Extérieur. N'Exposez Pas à la Pluie. Entrezposez à l'Intérieur. 	
⚠ ADVERTENCIA	
PELIGRO DE EXPLOSIÓN, FUEGO, DESCARGA EVITE LESIONES.	
<ul style="list-style-type: none"> • No Use Líquidos Flamables Y No Use Cerca De Líquidos Flamables, Vapores Ó Materiales Combustibles. • No Use Con Cable De Corriente Dañado. No Altere El Enchufe. Desconecte Cable De Corriente Antes Del Mantenimiento. • No Use Al Aire Libre. No Exponga A La Lluvia. Guarde Bajo Techo. 	
1026385	

OPERATION

MACHINE COMPONENTS



1. Power On/Off Handle Grips
2. Handle Height Adjustment Lever
3. Safety Lock Button
4. Speed Select Switch (Dual Speed Model)
5. Circuit Breaker Reset Button
6. Power Cord Hook
7. 15m (50 ft.) Power Cord
8. Motor Cover
9. Transport Wheels 102mm (4 in.)
10. Scrub Head Base
11. Bumper

MACHINE SETUP

Carefully check carton for signs of damage. Report damages at once to carrier.

INSTALLING PAD DRIVER / PAD / BRUSH

FOR SAFETY: Before leaving or servicing machine, unplug cord from wall outlet.

ATTENTION: If cleaning carpets, refer to the "CLEANING CARPETS" section in this manual.

1. With the handle in the upright position carefully tilt the machine backwards and rest the handle on the floor.
2. Position pad on pad driver. If machine is equipped with plastic centerlock, secure pad with lock.

NOTE: Consult your authorized distributor for pad and brush recommendations. Use only manufacturer supplied or approved pad drivers and brushes.

3. Position the pad driver/brush on the drive motor hub and turn it counter-clockwise to engage (Figure 1).

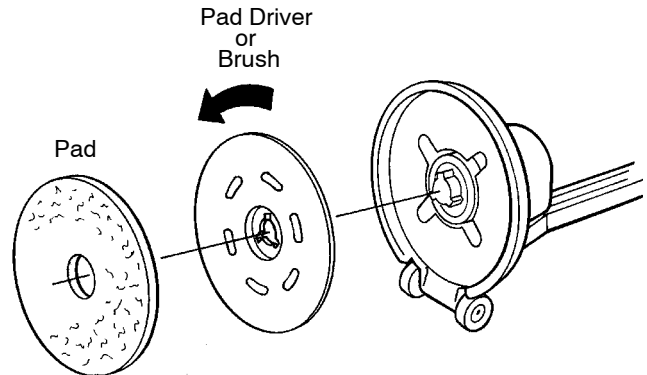


FIG. 1

4. Return machine to the upright position.

MACHINE OPERATION

FOR SAFETY: Do not operate machine, unless operator manual is read and understood.

⚠ WARNING: Fire or Explosion Hazard. Never Operate Machine In Or Near Flammable Liquids, Vapors Or Combustible Dusts.

OPERATING MACHINE

1. Plug the power cord into a grounded wall outlet (Figure 2).

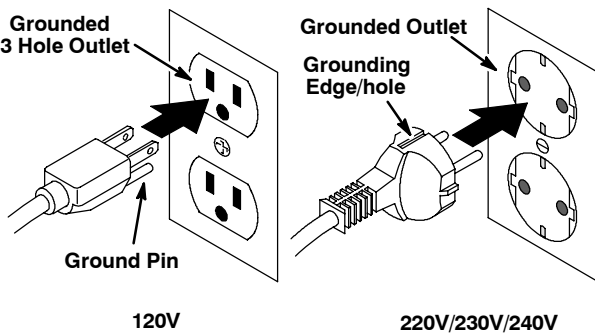


FIG. 2

FOR SAFETY: Do not operate machine unless cord is properly grounded. Do not operate machine with damaged cord or plug. Do not operate machine with the use of an extension cord.

2. For Dual Speed Models, select the appropriate motor speed. Position the speed select switch downward (185rpm) for scrubbing, stripping and carpet cleaning. Position the speed select switch upward (300rpm) for spray buffing (Figure 3).

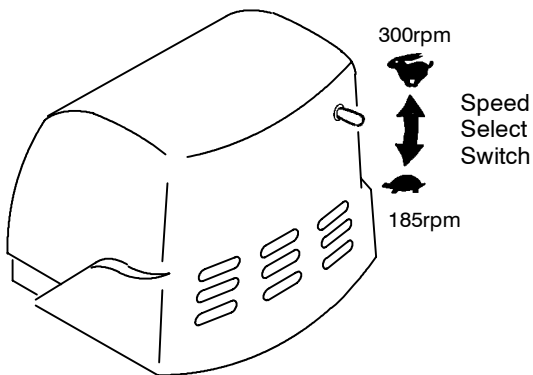


FIG. 3

3. Lower the handle to a comfortable operating height by pulling the handle height adjustment lever upward. Release lever to engage handle (Figure 4).

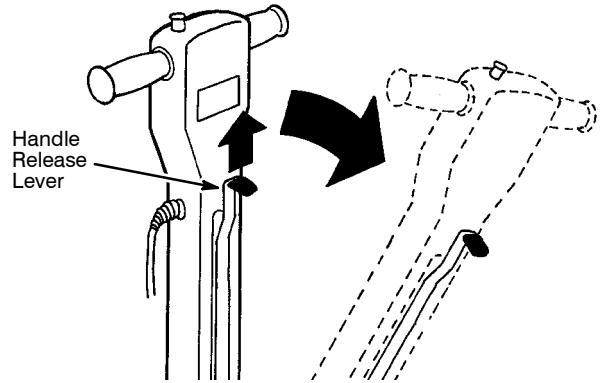


FIG. 4

4. Before starting the machine, hold the handle so the machine base is parallel to floor. This will reduce the abrupt jolt when starting the machine.

NOTE: For first time users, practice with a polishing pad which is less aggressive.

5. To begin scrubbing, hold the handles firmly, depress the safety lock button and twist handle grips forward. Release the safety lock button once machine starts (Figure 5).

ATTENTION: Use caution when starting out, the machine will jolt when the twist grips are turned.

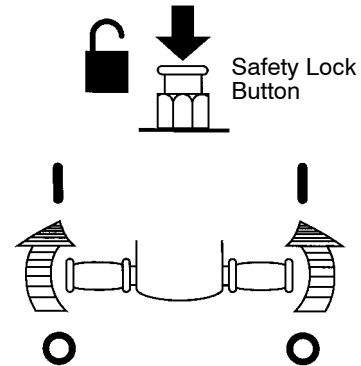


FIG. 5

6. To move the machine left (A), slightly lower the handle. To move right (B), slightly raise the handle. Operate the machine with a side to side motion (Figure 6).

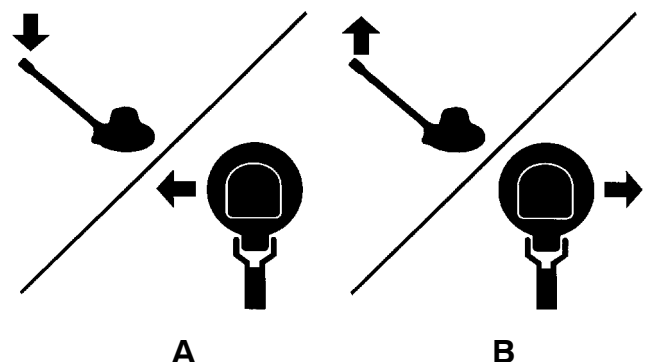


FIG. 6

OPERATION

NOTE: When pad becomes soiled, remove pad and turn over to expose clean side. Remove and wash pad after both sides become soiled.

7. To stop machine, rotate the handle grips backwards and hold handles firmly until machine comes to a complete stop. The safety lock button will automatically engage.

FOR SAFETY: When using machine, do not release handles until pad comes to a complete stop.

NOTE: The machine's circuit breaker may trip under conditions of excessive overload. Change to a less aggressive pad/brush and periodically check pad for soil build-up. To reset circuit breaker switch, wait 15 seconds and press the reset button located on the handle.

8. Do not operate the machine in the same spot for a long period of time. Floor damage may result.
9. To maneuver over thresholds and floor grates, stop the machine and tilt it back on the transport wheels.
10. When machine is not in use, do not leave machine standing on the pad/brush. Pad/brush damage may result.
11. When done scrubbing perform the following machine maintenance procedures.

OPERATING THE OPTIONAL SOLUTION TANK

1. Fill the solution tank with a recommended solution.

⚠ WARNING: Fire or Explosion Hazard. Never Use Flammable Liquids.

FOR SAFETY: When using machine, follow mixing and handling instructions on chemical containers.

2. Lower handle to working position. Pull the solution control knob to disperse solution to the pad/brush.

CLEANING CARPETS

Shampoo carpet brush required. Do not use a brush that is intended for hard floors; personal injury and carpet damage may result. Order Shampoo Carpet Brush p/n 604989 (43 cm/17 in), 607463 (50 cm/20 in) or consult your distributor or dealer for recommendations.

Before operating the machine on carpet, the carpet must be presprayed with an approved cleaning solution. The solution will act as a lubricant to allow the shampoo brush to spin with little resistance.

FOR SAFETY: To avoid a jolt when starting the machine on carpet, use a recommended shampoo carpet brush and prespray the carpet.

When using the Dual Speed model to clean carpets, do not operate machine at high speed; personal injury may result.

For best cleaning results allow the presprayed cleaning solution to "dwell" on the carpet for approximately 10-12 minutes before scrubbing. Using only a shampoo carpet brush, operate the machine at a gradual, steady pace.

After scrubbing, while carpet is still wet, use an extractor or wet-vacuum to pick up suspended soil and foam. Then vacuum carpet when it's completely dry.

MACHINE MAINTENANCE

⚠ WARNING: Electrical hazard. Unplug Power Cord Before Servicing Machine

1. Remove and clean the pad driver/brush after each use.
2. Clean the machine base after each use.
3. If equipped, rinse solution tank and solution supply hose with clear water.
4. Inspect power cord for damage after each use. If worn or damaged, replace immediately.
5. Wipe the power cord with damp cloth and neatly coil it around cord hook and handle after each use.
6. Periodically check that all bolts and nuts are tight.
7. Dual Speed Model: Every 250 hours of operation, check the motor for carbon brush wear. Replace brushes when worn to a length of 1 cm (0.38 in) or less. Contact an Authorized Service Center for carbon brush inspection.

FOR SAFETY: When servicing machine, all repairs must be performed by a qualified service person.

TRANSPORTING MACHINE

1. Unplug the power cord and remove the pad from the machine. Neatly coil the cord around the cord hook and handle to prevent cord damage.
2. Load the machine using a recommended loading ramp or carefully lift the machine with adequate assistance.

FOR SAFETY: When transporting machine, get assistance when lifting machine.

3. Secure machine with tie-down straps when transporting by vehicle.

STORING MACHINE

1. Remove brush/pad driver from machine and neatly coil cord around cord hook and handle.
2. Store machine in a dry area in the upright position.

⚠ WARNING: Electrical Shock Hazard.
Do Not Use Outdoors. Do Not Expose to Rain.
Store Indoors.

RECOMMENDED STOCK ITEMS

Refer to the Parts List for recommended stock items. Stock Items are clearly identified with a bullet preceding the parts description. See example below:

Ref.	Part No.	Description	Qty.
1	701103	ASM., STANDPIPE	1
2	180618	●FLOAT, SHUTOFF	1
3	230197	NIPPLE	1
4	101714	●GASKET	1
5	210240	NUT, FLANGED	1

TROUBLE SHOOTING

PROBLEM	CAUSE	SOLUTION
Machine does not operate.	Faulty power cord.	Contact Service Center.
	Tripped circuit breaker.	Reset circuit breaker on machine.
	Tripped building circuit breaker.	Reset circuit breaker in building.
	Faulty machine wiring.	Contact Service Center.
	Faulty On/Off handle switch.	Contact Service Center.
	Faulty motor.	Contact Service Center.
	Capacitor burned out (Single speed models).	Contact Service Center.
Rectifier burned out (Dual speed models).	Contact Service Center.	
Machine operates with a wobble or jerky motion.	Soiled Pad.	Replace Pad.
	Improper pad/brush for application.	Change to proper pad/brush.
	Pad driver/brush not installed correctly.	Remove and reinstall pad driver/brush.
	Pad/brush unevenly worn.	Replace pad/brush.
Machine circuit breaker trips continuously.	Pad not properly centered on pad driver.	Remove and reinstall pad.
	Heavily soiled pad/brush.	Clean or replace pad/brush.
	Improper pad/brush for application.	Change to proper pad/brush.
	Defective circuit breaker.	Contact Service Center.
	Worn carbon brushes in motor.	Contact Service Center.

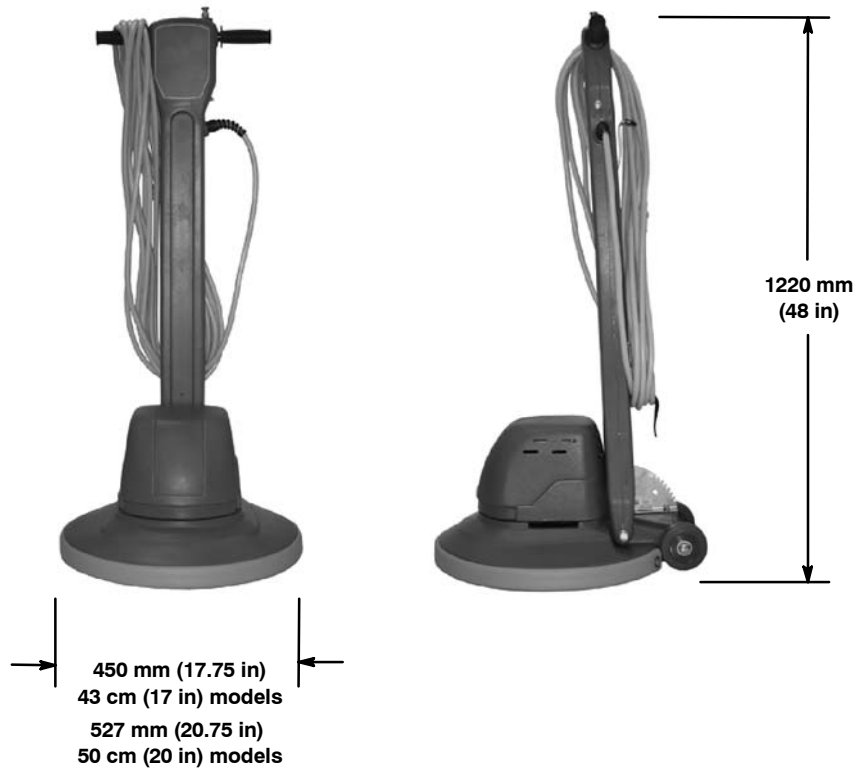
OPERATION

SPECIFICATIONS

MODEL	F5 43 cm (17 in)	F5 50 cm (20 in)	F10 43 cm (17 in)	F10 50 cm (20 in)
WIDTH	450 mm (17.75 in)	527 mm (20.75 in)	450 mm (17.75 in)	527 mm (20.75 in)
HEIGHT	1220 mm (48 in)	1220 mm (48 in)	1220 mm (48 in)	1220 mm (48 in)
WEIGHT	43Kg (95 lbs)	43Kg (95 lbs)	43Kg (95 lbs)	43Kg (95 lbs)
DRIVE MOTOR	120V, 1.5 hp 12A, 60Hz	120V, 1.5 hp 12A, 60Hz	120V, 1.5 hp 12A, 60Hz	120V, 1.5 hp 12A, 60Hz
	240V, 1.1 kW, 7A, 50Hz	230V, 1.1 kW, 7A, 50Hz		230V, 1.1kW, 7A, 60Hz
	230V, 1.1 kW, 7A, 60Hz	220V, 1.1 kW, 7A, 60Hz		
PAD/BRUSH SPEED	175 RPM	175 RPM	185/330 RPM	185/330 RPM
POWER CORD LENGTH	15M (50 ft)	15M (50 ft)	15M (50 ft)	15M (50 ft)
BRUSH/PAD DIA.	432 mm (17 in)	508 mm (20 in)	432 mm (17 in)	508 mm (20 in)
DECIBEL RATING AT OPERATOR'S EAR, INDOORS ON TILE FLOOR	<70dB(A)	<70dB(A)	71dB(A) At Low Speed 73dB(A) At High Speed	71dB(A) At Low Speed 73dB(A) At High Speed

Specifications may change without notice.

MACHINE DIMENSIONS



Este manual se proporciona con cada nuevo modelo. Proporciona instrucciones necesarias de mantenimiento y lista ilustrada de piezas.

Antes de operar o prestar servicio a la máquina, lea completamente este manual y entienda la máquina.

Para ordenar piezas use las Listas Ilustradas de las Piezas. Asegúrese de tener listo el número de modelo y de serie de la máquina, antes de ordenar piezas o suministros. Las piezas y suministros pueden ordenarse por teléfono o por correo de cualquier centro autorizado de piezas y servicio, distribuidor o de cualquiera de las subsidiarias del fabricante.

Esta máquina proporcionará un servicio excelente. Sin embargo, los mejores resultados se obtienen a un costo mínimo si:

- La máquina se opera con un cuidado razonable.
- La máquina se mantiene con regularidad, según las instrucciones de mantenimiento provistas.
- La máquina se mantiene con las piezas provistas por el fabricante o equivalentes.

DATOS DE LA MÁQUINA

Por favor complete en el momento de la instalación, para referencia futura.

No. de modelo - _____

Fecha de instalación - _____

Nº de Serie- _____



PROTECCIÓN DEL MEDIO AMBIENTE

Deseche el material de embalaje, los componentes usados de la máquina como las baterías y los líquidos peligrosos como el anticongelante y el aceite, de forma segura para el medio ambiente, de acuerdo con las normativas o disposiciones locales.



No olvide reciclar.

ÍNDICE

MEDIDAS DE SEGURIDAD	13	ALMACENAMIENTO DE LA MÁQUINA	18
INSTRUCCIONES PARA REALIZAR LA TOMA DE TIERRA	14	STOCK RECOMENDADO DE REPUESTOS ...	18
ADHESIVO DE SEGURIDAD	14	LOCALIZACIÓN DE AVERÍAS	19
COMPONENTES DE LA MÁQUINA	15	ESPECIFICACIONES	20
PREPARACIÓN DE LA MÁQUINA	15	DIMENSIONES DE LA MÁQUINA	20
INSTALACIÓN DEL MANDO EN LA BASE ..	15	DIAGRAMAS ELECTRICAS	32
OPERACIÓN DE LA MÁQUINA	16	LISTA DE PIEZAS	34
UTILIZACIÓN DE LA MÁQUINA	16	GRUPO DEL ASA	34
UTILIZACIÓN DEL DEPÓSITO OPCIONAL DE DISOLUCIÓN	17	GRUPO BASE (SINGLE SPEED MODEL) ..	36
LIMPIEZA DE ALFOMBRAS	17	GRUPO BASE (DUAL SPEED MODEL)	38
MANTENIMIENTO DE LA MÁQUINA	18	CEPILLO DEL REEMPLAZO Y GRUPO DEL MANDO DE LA ALMOHADILLA	40
TRANSPORTE DE LA MÁQUINA	18	OPCIONES	41
		GRUPE DEL DEPÓSITO DE DISOLUCIÓN .	41

MEDIDAS DE SEGURIDAD

Esta máquina está destinada al uso comercial. Está diseñada exclusivamente para fregar suelos en recintos cerrados y no debe utilizarse para ningún otro uso. Utilice únicamente los cepillos, almohadillas y limpiadores de suelos específicos recomendados para máquinas disponibles en el mercado.

Todos los operarios deben leer, comprender y cumplir las siguientes medidas de seguridad:

A lo largo de todo el manual se utilizan los siguientes símbolos de advertencia y encabezados "PARA SU SEGURIDAD" descritos a continuación:

⚠ ADVERTENCIA: Advierte sobre riesgos o prácticas inseguras que podrían provocar lesiones personales graves o fatales.

PARA SU SEGURIDAD: Identifica las operaciones que debe realizar para una utilización segura del equipo.

El no cumplimiento de estas advertencias puede causar lesiones personales, descargas eléctricas, incendios y explosiones.

⚠ ADVERTENCIA: Peligro de incendio o explosión:

- Nunca utilice líquidos inflamables ni haga funcionar la máquina en las proximidades de líquidos, vapores o polvos inflamables.

Esta máquina no está equipada con motor a prueba de explosión. El motor eléctrico emite chispas al arrancar y durante el funcionamiento lo que podría causar un fuego explosivo o explosión si la máquina se usa en una área donde están presentes vapores/líquidos inflamables o polvos combustibles.

⚠ ADVERTENCIA: Peligro eléctrico. No opere con un cordón eléctrico dañado. No modifique el enchufe. Desenchufe el cordón eléctrico antes de reparar la máquina.

Si el cordón del suministro se daña o se rompe, debe ser reemplazado por el fabricante o su agente de servicio o una persona similarmente calificada para evitar un riesgo.

⚠ ADVERTENCIA: Peligro choque eléctrico. No use al aire libre. No exponga a la lluvia. Almacén bajo techo.

La siguiente información indica las condiciones potencialmente peligrosas para el operario o equipo:

PARA SU SEGURIDAD:

1. No utilice la máquina:
 - Con líquidos inflamables o cerca de gases inflamables, ya que podría provocar explosiones o llamaradas.
 - Salvo que esté debidamente formado y autorizado.
 - Salvo haber leído y comprendido el manual del operario.
 - A menos que el cordón se conecte apropiadamente a tierra.
 - Con un cordón o enchufe dañados.
 - Si la máquina no funciona correctamente.
 - En áreas al aire libre.
 - En agua estancada.
 - Con el uso de una extensión de cordón.
2. Antes de arrancar la máquina:
 - Asegúrese de que todos los dispositivos de seguridad se encuentren en su lugar y funcionen correctamente.
 - Quite objetos sueltos en suelo para prevenir proyectiles peligrosos si son golpeados por la almohadilla giratoria.
 - Coloque señales de piso húmedo según se necesite.
3. Al utilizar la máquina:
 - Aléjese de la almohadilla giratoria.
 - No tire de la máquina por el enchufe o el cordón.
 - No pase la máquina encima del cordón.
 - Evite pasar el cable por bordes agudos o esquinas.
 - No cierra las puertas sobre el cordón.
 - No desenchufe tirando del cordón.
 - No estire el cordón.
 - No maneje el enchufe con las manos húmedas.
 - Mantenga el cordón lejos de las superficies calientes.
 - Siga las instrucciones de mezcla y manipulación indicadas en los depósitos para los productos químicos.
 - Nunca active la potencia cuando la manija esté en posición vertical.
 - No suelte las manijas hasta que la almohadilla se detenga completa.
 - Conduzca despacio en pendientes y superficies resbaladizas.

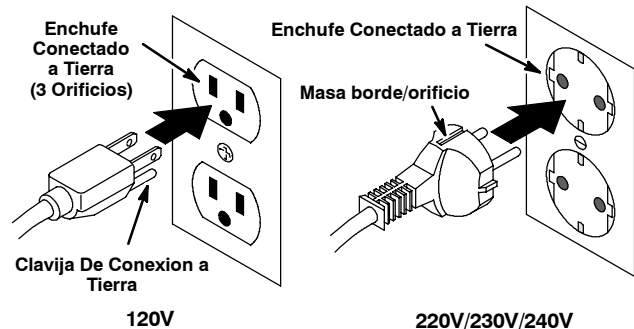
OPERACIÓN

- Utilice calzado antideslizante.
 - Informe inmediatamente de las averías de la máquina o si el funcionamiento no es correcto.
 - No permita nunca que los niños jueguen encima o alrededor de la máquina.
4. Antes de abandonar o revisar la máquina:
- Apague la máquina.
 - Desenchufe cordón del tomacorriente de la pared.
5. Al revisar la máquina:
- Desenchufe cordón del tomacorriente de la pared.
 - Evite las partes en movimiento. No utilice chaquetas, camisas o mangas sueltas.
 - Utilice repuestos suministrados o aprobados por el fabricante.
 - Todas las reparaciones deben ser realizadas por personal técnico cualificado.
 - No modifique el diseño original de la máquina.
6. Al transportar la máquina:
- Pida ayuda para levantar la máquina.
 - Desenchufe cordón del tomacorriente de la pared.
 - Utilice las cintas para fijar la máquina al camión o remolque.

INSTRUCCIONES PARA REALIZAR LA TOMA DE TIERRA

La máquina debe estar conectada a una toma de tierra. En caso de funcionamiento incorrecto o avería de la máquina, la toma de tierra proporciona el camino de menor resistencia a la corriente eléctrica reduciendo de este modo el riesgo de descarga eléctrica. La máquina está equipada con un cable y enchufe con toma de tierra. Conecte el enchufe en un enchufe apropiado correctamente instalado de acuerdo con los códigos y ordenanzas locales. No extraer la clavija de conexión a tierra; si falta, reemplazar el enchufe antes de usar.

Modelo 120V: Este artefacto es para usar en un circuito nominal de 120 voltios y tiene un enchufe de aditamento para conectar a tierra que se parece al enchufe ilustrado en la figura. Asegurarse que el artefacto esté conectado a un tomacorrientes con la misma configuración que el enchufe. No se debe usar un adaptador con este artefacto.



ADHESIVO DE SEGURIDAD

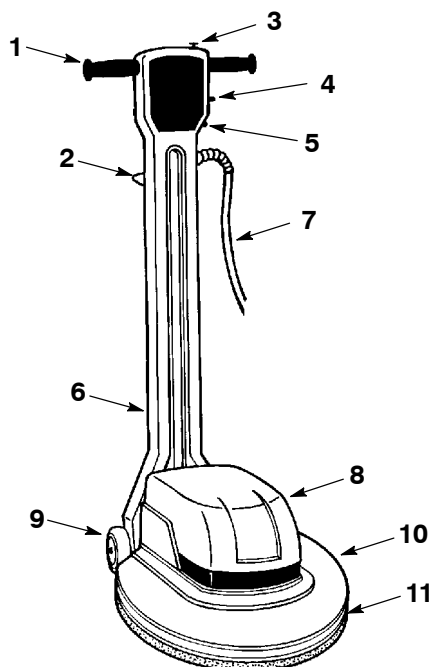
La adhesivo de seguridad aparece en la máquina en la localización indicada. Sustituya el adhesivo si se ha desprendido, o está deteriorado o son ilegible.



ETIQUETA DE ADVERTENCIA -
Ubicada en el reverso de la manija de la máquina.

⚠ WARNING			
EXPLOSION, FIRE AND SHOCK HAZARD. AVOID INJURY.			
• Do Not Use Flammable Liquids or Operate Near Flammable Liquids, Vapors or Combustible Dusts.			
• Do Not Operate With Damaged Power Cord. Do Not Modify Plug. Unplug Power Cord Before Servicing Machine.			
• Do Not Use Outdoors. Do Not Expose to Rain. Store Indoors.			
⚠ AVERTISSEMENT			
RISQUE D'EXPLOSION, D'INCENDIE ET DE DÉCHARGE. ÉVITEZ LES BLESSURES.			
• N'utilisez Pas Près de Liquides Inflammables ou Près de Liquides ou Vapeurs Inflammables ou Poussières Combustibles.			
• N'utilisez Pas la Machine Avec un Cordon d'Alimentation Endommagé. Ne Modifiez Pas la Prise. Débranchez le Cordon d'Alimentation Avant d'Entretien la Machine.			
• N'utilisez Pas en Extérieur. N'Exposez Pas à la Pluie. Entreposez à l'Intérieur.			
⚠ ADVERTENCIA			
PELIGRO DE EXPLOSIÓN, FUEGO, DESCARGA EVITE LESIONES.			
• No Use Líquidos Flamables Y No Use Cerca De Líquidos Flamables, Vapores Ó Materiales Combustibles.			
• No Use Con Cable De Corriente Dañado. No Altere El Enchufe. Desconecte Cable De Corriente Antes Del Mantenimiento.			
• No Use Al Aire Libre. No Exponga A La Lluvia. Guarde Bajo Techo.			
			1026385

COMPONENTES DE LA MÁQUINA



1. Empuñaduras de torsión eléctricas Encendido/Apagado
2. Palanca de ajuste de altura de la manija
3. Botón de calce de seguridad
4. Interruptor del selector de velocidad
5. Botón de reg graduación del interruptor de circuitos
6. Gancho para el cable eléctrico
7. 15m (50 pies) Cable eléctrico
8. Caja del Motor
9. Ruedas de transporte de 102mm (4 pulg.)
10. Base del cabezal de limpieza
11. Paragolpes

PREPARACIÓN DE LA MÁQUINA

Controle cuidadosamente si la caja presenta signos de deterioro. Si existieran desperfectos, informe inmediatamente al transportista.

INSTALACIÓN DEL MANDO EN LA BASE

PARA SU SEGURIDAD: Antes de dejar o prestar servicio a la máquina, desenchufar el cordón del tomacorrientes de la pared.

ATENCIÓN: Refiérase a la sección de “LIMPIEZA DE ALFOMBRAS” de este manual en caso de limpieza de alfombras.

1. Con la manija en posición vertical incline cuidadosamente la máquina hacia atrás y deje la manija apoyada sobre el piso.
2. Instale la almohadilla sobre el impulsor de la almohadilla. Si la máquina tenga un cierre central plástico, fijar la almohadilla con el cierre central.

NOTA: Consulte a su distribuidor autorizado el tipo de cepillo/almohadilla recomendado para sus necesidades. Utilice únicamente impulsores de las almohadillas y cepillos suministrados y homologados por el fabricante.

3. Coloque el impulsor de la almohadilla/cepillo sobre el cubo del motor de impulsión y gírelo en sentido contrario al de las agujas del reloj para inmovilizarlo (Figura 1).

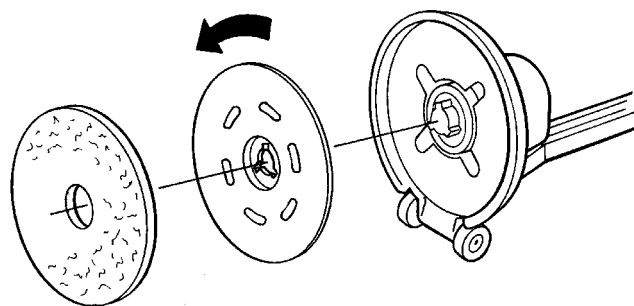


FIG. 1

4. Devuelva la máquina a la posición vertical.

OPERACIÓN

OPERACIÓN DE LA MÁQUINA

PARA SU SEGURIDAD: No utilice la máquina salvo que el operario haya leído y comprendido el manual de instrucciones.

⚠ ADVERTENCIA: Peligro de incendio o explosión. **NUNCA** haga funcionar la máquina sobre o en las proximidades de líquidos, vapores o polvos inflamables.

UTILIZACIÓN DE LA MÁQUINA

1. Enchufe el cable eléctrico en una toma de la pared con toma de tierra (Figura 2).

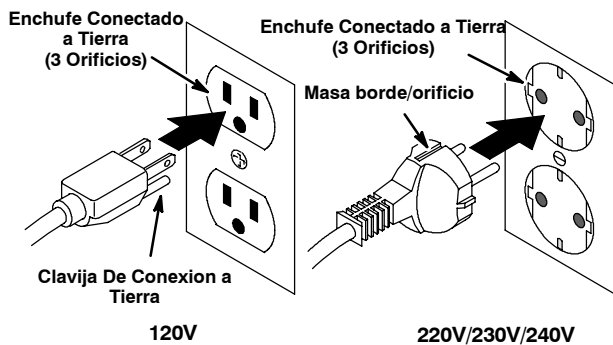


FIG. 2

PARA SU SEGURIDAD: Peligro eléctrico. No operar la máquina a menos que la máquina esté bien conectada a tierra. No operar la máquina con un cordón o enchufe dañado. No operar la máquina con el uso de un cordón de extensión.

2. Para los modelos de dos velocidades seleccione la velocidad deseada del motor. Coloque el conmutador de selección de velocidad en posición baja (185 rpm) para limpiar, pelar y lavar alfombras. Coloque el conmutador de selección de velocidad en posición alta (300 rpm) para lustrado por rociado (Figura 3).

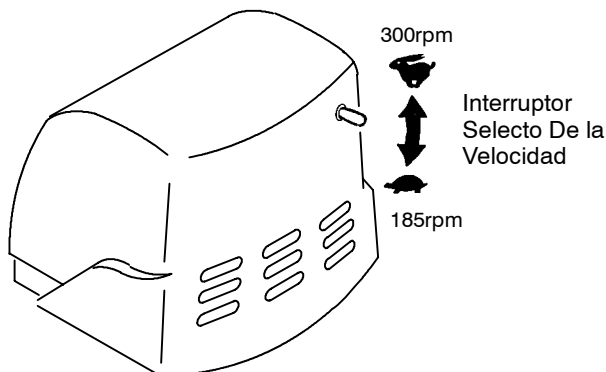
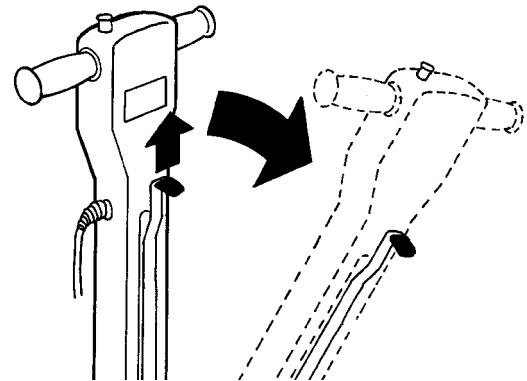


FIG. 3

3. Baje el mando hasta la altura de funcionamiento deseada tirando de la palanca de ajuste de la altura del mando. Suelte la palanca para inmovilizar el mando (Figura 4).

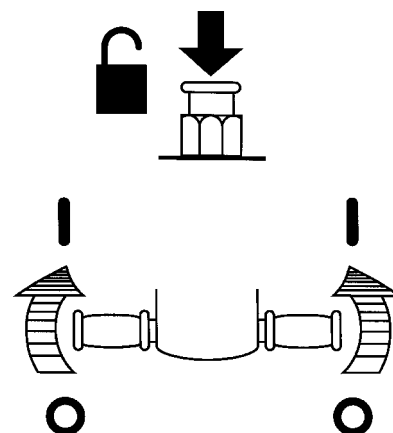


4. Antes de arrancar la máquina, sujete el mando de modo que la base de la máquina esté paralela al suelo. Esto reducirá el desplazamiento incontrolado al arrancar la máquina.

NOTA: Es aconsejable que los operarios que utilicen la máquina por primera vez practiquen con la almohadilla de abrillantado que es menos agresiva.

5. Para comenzar a pulir, sujete las manijas firmemente, oprima el botón de calce de seguridad y gire las empuñaduras de la manija hacia adelante. Suelte el botón de calce de seguridad una vez que arranca la máquina (Figura 5).

ATENCIÓN: Extreme las precauciones las primeras veces que utilice la máquina. La máquina puede dar fuertes sacudidas si no se utiliza correctamente.



6. Para desplazar la máquina hacia la izquierda (A), baje ligeramente el mando. Para desplazarla hacia la derecha (B), eleve ligeramente el mando. Desplace la máquina con movimientos laterales (Figura 6).

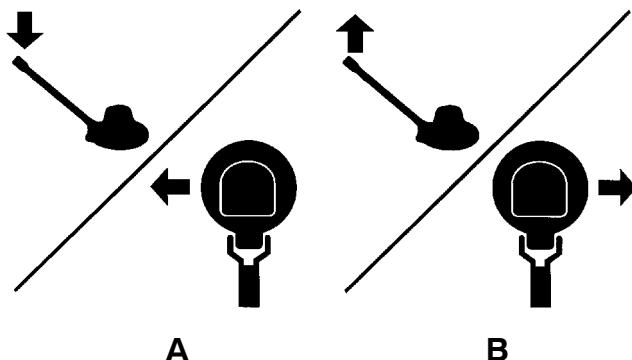


FIG. 6

NOTA: Cuando la almohadilla se ensucia, extraiga la almohadilla y revierta para exponer el lado limpio. Extraiga y lave la almohadilla después que ambos lados estén sucios.

7. Para detener la máquina, gire las empuñaduras del mango hacia atrás y sujete firmemente las manijas hasta que la máquina se detenga completamente. El botón de calce de seguridad se engancha automáticamente.

PARA SU SEGURIDAD: Al utilizar la máquina, no suelte los mandos hasta que la almohadilla se haya detenido totalmente.

NOTA: El interruptor de circuito de la máquina puede activarse bajo condiciones de sobrecarga excesiva. Cambie a una almohadilla/cepillo menos agresivo e inspeccione periódicamente la almohadilla por acumulación de suciedad. Para regraduar el conmutador del interruptor de circuito, espere 15 segundos y oprima el botón de regraduación ubicado en la manija.

8. No utilice la máquina en el mismo lugar durante mucho tiempo. Podría deteriorar el suelo.
9. Para maniobrar sobre umbrales y rejillas, detenga la máquina e inclínela hacia atrás hasta situarla sobre las ruedas de transporte.
10. No deje la máquina vertical sobre el cepillo/almohadilla cuando no la utilice. Podría deteriorar el cepillo o la almohadilla.
11. Una vez finalizada la operación de fregado, realice las siguientes operaciones de mantenimiento de la máquina.

UTILIZACIÓN DEL DEPÓSITO OPCIONAL DE DISOLUCIÓN

1. Llene el depósito de disolución con la disolución recomendada.

⚠ ADVERTENCIA: Peligro de incendio o explosión. No utilizar NUNCA líquidos inflamables.

PARA SU SEGURIDAD: Siga las instrucciones de mezcla y manipulación indicadas en los envases de los productos químicos cuando utilice la máquina.

2. Baje el mando hasta la posición de trabajo. Tire de la palanca de control de la disolución para dirigir la disolución hacia el cepillo/almohadilla.

LIMPIEZA DE ALFOMBRAS

Se requiere un cepillo para aplicar champú a la alfombra. No use un cepillo para pesos duros ya que puede resultar en lesiones y daños a la alfombra. Ordene Shampoo Carpet Brush n/p 604989- 43 cm (17"), 607463-50 cm (20") o consulte con su distribuidor o concesionario para las recomendaciones.

Antes de usar la máquina en alfombras, la alfombra debe prerrociarse con una solución aprobada de limpieza. La solución actuará como un lubricante para permitir que el cepillo para champú gire con poca resistencia.

PARA SU SEGURIDAD: Para evitar una sacudida al arrancar la máquina en la alfombra, use un cepillo recomendado para aplicar champú a las alfombras y prerrocíe la alfombra.

Al usar el modelo Dual Speed para limpiar alfombras, no haga funcionar la máquina a alta velocidad; pueden resultar lesiones personales.

Para obtener los mejores resultados de limpieza permita que la solución limpiadora prerrocíada permanezca en la alfombra durante 10-12 minutos antes de limpiar. Usando sólo un cepillo para aplicar champú a la alfombra, haga funcionar la máquina a un paso gradual, consistente.

Después de limpiar y mientras la alfombra está todavía húmeda, use un extractor o aspiradora para líquidos para aspirar suciedad y espuma en suspensión. Cuando la alfombra está totalmente seca pase la aspiradora.

OPERACIÓN

MANTENIMIENTO DE LA MÁQUINA

⚠ ADVERTENCIA: Peligro eléctrico.
Desenchufe el cordón eléctrico antes de reparar la máquina.

1. Retire y limpie el impulsor de la almohadilla/cepillo después de cada uso.
2. Limpie la base de la máquina después de cada uso.
3. Si está equipado, aclare el tanque de la solución y la manguera de fuente de la solución con agua clara.
4. Compruebe si el cable eléctrico está deteriorado después de cada uso. En caso de estar deteriorado, sustitúyalo inmediatamente.
5. Limpie con un paño húmedo el cable eléctrico y enróllelo cuidadosamente alrededor del mando y colóquelo en su gancho después de cada uso.
6. Controle periódicamente que todos los pernos y tuercas estén bien apretados.
7. Controle el desgaste de las escobillas de carbono del motor cada 250 horas de utilización. Sustituya los cepillos cuando la longitud de sus cerdas sea igual o inferior a 1 cm (0.38 pulg.) debido al desgaste. Para la inspección de las escobillas de carbón consulte con su Centro Autorizado de Servicio.

PARA SU SEGURIDAD: Al reparar máquina, todas las reparaciones se deben realizar por una persona cualificada para el servicio.

TRANSPORTE DE LA MÁQUINA

1. Desenchufe el cordón eléctrico y extraiga la almohadilla de la máquina. Enrolle prolijamente el cordón alrededor del gancho del cordón y el mango.
2. Guarde la máquina en posición vertical en un lugar seco.

PARA SU SEGURIDAD: Al transportar máquina, obtenga asistencia al levantar la máquina.

3. Asegure la máquina con las bandas de amarre cuando sea transportada por camión.


ALMACENAMIENTO DE LA MÁQUINA

1. Retire de la máquina el impulsor del cepillo/almohadilla y enrolle cuidadosamente el cable alrededor del mando y colóquelo en su gancho.
2. Almacene la máquina en un área seca en la posición vertical con la manija colocada en posición vertical o plegada.

⚠ ADVERTENCIA: Peligro choque eléctrico. No use al aire libre. No exponga a la lluvia. Almacén bajo techo.

STOCK RECOMENDADO DE REPUESTOS

Consulte el manual de repuestos para saber qué repuestos conviene tener en stock. Los repuestos que debe tener en almacén se identifican fácilmente por la marca que precede a la descripción de las piezas. Consulte el siguiente ejemplo:



Ref.	Part No.	Description	Qty.
1	701103	ASSEMBLY, STANDPIPE	1
2	180618	● FLOAT, SHUTOFF	1
3	230197	NIPPLE	1
4	101714	● GASKET	1
5	210240	NUT, FLANGED	1

LOCALIZACIÓN DE AVERÍAS

PROBLEMA	CAUSA	SOLUCIÓN
La máquina no funciona.	Cable eléctrico defectuoso.	Contactar con el Servicio Técnico
	Cortacircuitos activado.	Reajustar el cortacircuitos de la máquina.
	Cortacorrientes del edificio activado.	Reajustar el cortacircuitos del edificio.
	Cableado de la máquina defectuoso.	Contactar con el Servicio Técnico
	Interruptor de la palanca de Apagado/ Encendido defectuoso.	Contactar con el Servicio Técnico
	Motor defectuoso.	Contactar con el Servicio Técnico
	Condensador quemado (Modelos de una velocidad).	Contactar con el Servicio Técnico
	Rectificador quemado (Modelos de dos velocidades).	Contactar con el Servicio Técnico
La máquina se desplaza con un movimiento oscilante y brusco.	Almohadilla sucia.	Sustituir almohadilla.
	Cepillo/almohadilla incorrecta para la aplicación.	Sustituir por el cepillo/almohadilla correcto.
	Impulsor de la almohadilla/cepillo mal instalado.	Extraer y volver a instalar el impulsor de la almohadilla/cepillo.
	Desgaste irregular del cepillo/almohadilla.	Sustituir cepillo/almohadilla.
	Almohadilla descentrada.	Extraer y volver a instalar la almohadilla.
El cortacircuitos de la máquina se activa constantemente.	Heavily soiled pad/brush.	Limpiar o sustituir el cepillo/almohadilla.
	Cepillo/almohadilla incorrecta para la aplicación.	Sustituir por el cepillo/almohadilla correcto.
	Cortacircuitos defectuoso.	Contactar con el Servicio Técnico
	Cepillos de carbono del motor gastados.	Contactar con el Servicio Técnico

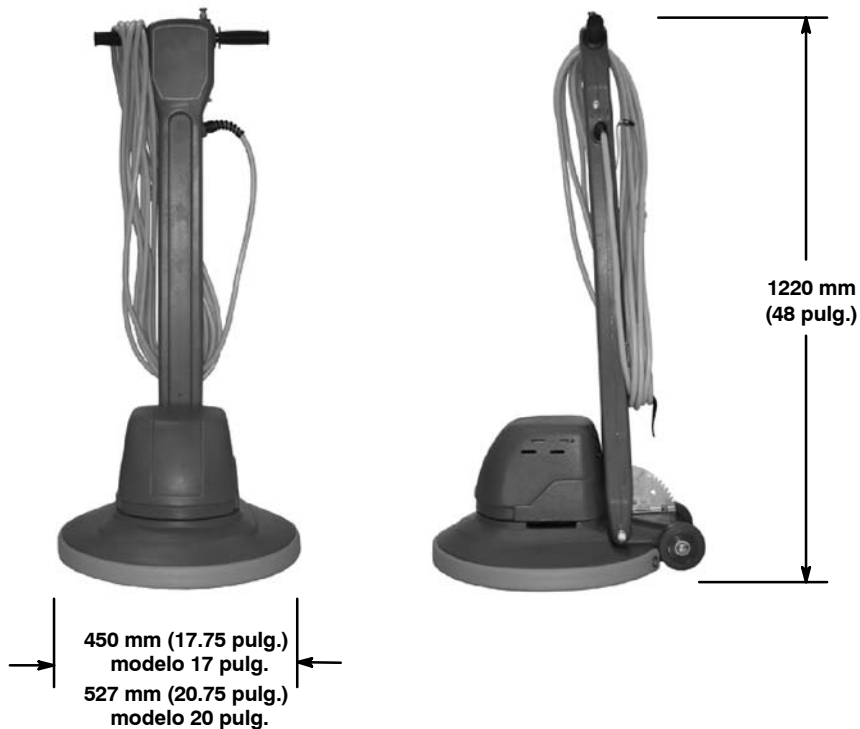
OPERACIÓN

ESPECIFICACIONES

MODELO	F5 43 cm (17 in)	F5 50 cm (20 in)	F10 43 cm (17 in)	F10 50 cm (20 in)	
ANCHURA	450 mm (17.75 pulg.)	527 mm (20.75 pulg.)	450 mm (17.75 pulg.)	527 mm (20.75 pulg.)	
ALTURA DE LA MÁQUINA	1220 mm (48 pulg.)	1220 mm (48 pulg.)	1220 mm (48 pulg.)	1220 mm (48 pulg.)	
PESO	43 Kg (95 lbs)	43 Kg (95 lbs)	43 Kg (95 lbs)	43 Kg (95 lbs)	
MOTOR IMPULSOR	120V, 1.5 hp 12A, 60Hz	120V, 1.5 hp 12A, 60Hz	120V, 1.5 hp 12A, 60Hz	120V, 1.5 hp 12A, 60Hz	
	240V, 1.1 kW, 7A, 50Hz	230V, 1.1 kW, 7A, 50Hz			230V, 1.1kW, 7A, 60Hz
	230V, 1.1 kW, 7A, 60Hz	220V, 1.1 kW, 7A, 60Hz			
VELOCIDAD DEL CEPILLO/ALMOHADILLA	175 RPM	175 RPM	185/330 RPM	185/330 RPM	
LONGITUD DEL CABLE ELÉCTRICO	15 M (50 pies)	15 M (50 pies)	15 M (50 pies)	15 M (50 pies)	
DIÁMETRO DEL CEPILLO/ALMOHADILLA	430 mm (17 pulg.)	508 mm (20 pulg.)	430 mm (17 pulg.)	508 mm (20 pulg.)	
NIVEL DE RUIDO (EN DECIBELIOS) A LA ALTURA DEL OPERARIO, EN RECINTO CERRADO CON SUELO DE BALDOSA	<70dB(A)	<70dB(A)	71dB(A) A La Velocidad Baja 73dB(A) En La Velocdad alta	71dB(A) A La Velocidad Baja 73dB(A) En La Velocdad alta	

Especificaciones sujetas a modificaciones sin aviso previo.

DIMENSIONES DE LA MAQUINA



Ce manuel est fourni avec chaque nouveau modèle. Il fournit les instructions nécessaires au fonctionnement et à l'entretien.

Lisez attentivement le manuel opérateur avant d'utiliser ou d'entretenir la machine.

Une liste complète de pièces détachées avec illustrations accompagne également chaque nouveau modèle. Utilisez la liste de pièces détachées pour commander des pièces de rechange. Avant de commander des pièces ou des fournitures, assurez-vous d'avoir avec vous le numéro de modèle de la machine et le numéro de série. Les pièces et les fournitures se commandent par téléphone ou par courrier auprès de tout centre de dépannage agréé, de tout distributeur ou de l'une des filiales du fabricant.

Cette machine vous fournira d'excellents services. Toutefois, vous obtiendrez les meilleurs résultats pour un prix de revient minimum si:

- La machine est manipulée avec un certain soin.
- La machine fait l'objet d'un entretien régulier conformément aux instructions d'entretien de ce manuel.
- L'entretien de la machine est effectué avec des pièces fournies par le fabricant ou des pièces équivalentes.

DONNÉES DE LA MACHINE

À remplir au moment de l'installation à titre de référence.

N° modèle - _____

Date d'installation - _____

N° de série - _____

PROTECTION DE L'ENVIRONNEMENT



Veillez éliminer les matériaux d'emballage, les composants d'anciennes machines comme les batteries, les fluides dangereux tels que l'antigel ou l'huile, d'une manière sûre au point de vue environnemental, suivant la réglementation locale en vigueur en matière d'élimination des déchets.

N'oubliez pas de toujours recycler.

TABLE DES MATIÈRES

MESURES DE SÉCURITÉ	23	ARTICLES DE STOCK RECOMMANDÉS	29
INSTRUCTIONS DE MISE À LA TERRE ...	24	DÉPISTAGE DES PANNES	30
ÉTIQUETTE DE MISE EN GARDE	25	DONNÉES TECHNIQUES	31
COMPOSANTS DE LA MACHINE	26	DIMENSIONS DE LA MACHINE	31
MISE EN SERVICE DE LA MACHINE	26	SYSTÈM ÉLECTRIQUE	32
INSTALLATION DU SYSTÈME		LISTE DES PIÈCES	34
D'ENTRAÎNEMENT DU PATIN /		GROUPE DE POIGNÉE	34
PATIN / BROSSÉ	26	GROUPE BAS, VITESSE SIMPLE	36
FONCTIONNEMENT DE L'APPAREIL	27	GROUPE BAS, VITESSE DUELLE	38
FONCTIONNEMENT DE LA MACHINE	27	GROUPE REMPLACEMENT DES BROSSES	
UTILISATION DU RÉSERVOIR DE		ET DU PIGNON MENANT DE PATIN	40
SOLUTION EN OPTION	28	ÉQUIPEMENT AU CHOIX	41
NETTOYAGE DES MOQUETTES	28	ENSEMBLE DU RÉSERVOIR DE SOLUTION	41
ENTRETIEN DE LA MACHINE	29		
TRANSPORT DE LA MACHINE	29		
ENTREPOSAGE DE LA MACHINE	29		

MESURES DE SÉCURITÉ

Cette machine est conçue pour un usage professionnel uniquement. Elle est destinée exclusivement à nettoyer les sols intérieurs et ne convient pas à un quelconque autre usage. Utilisez uniquement des patins/brosses et des produits nettoyants et cires pour sols disponibles dans le commerce, prévus pour l'application de la machine.

Tous les opérateurs sont tenus de lire et comprendre les consignes de sécurité suivantes et de se familiariser avec celles-ci.

Le symbole de mise en garde suivant et l'en-tête « POUR VOTRE SECURITE » sont utilisés tout au long de ce manuel comme indiqué dans leur description :

⚠ MISE EN GARDE : identifie la présence de dangers ou les opérations dangereuses susceptibles de blesser grièvement ou de provoquer la mort.

POUR VOTRE SECURITÉ : identifie les instructions qui doivent être suivies afin de garantir la sécurité lors de l'utilisation de l'équipement.

Le fait de ne pas respecter ces avertissements peut entraîner des blessures, un choc électrique, un incendie ou une explosion.

⚠ MISE EN GARDE : danger d'incendie ou d'explosion :

- N'utilisez jamais de liquides inflammables ou n'utilisez pas la machine dans ou près de liquides ou vapeurs inflammables ou de poussières combustibles.

Cette machine n'est pas équipée d'un moteur protégé contre les explosions. Le moteur électrique émet des étincelles au moment du démarrage et pendant son fonctionnement, ce qui peut entraîner un incendie instantané ou une explosion si la machine est utilisée dans une zone où des vapeurs/liquides inflammables ou des poussières combustibles, sont présents.

⚠ MISE EN GARDE : danger électrique. N'utilisez pas la machine avec un cordon d'alimentation endommagé. Ne modifiez pas la prise. Débranchez le cordon d'alimentation avant d'entretenir la machine

Si le cordon d'alimentation est endommagé ou rompu, il doit être remplacé par le fabricant ou son agent de maintenance ou toute autre personne qualifiée, afin d'éviter tout danger.

⚠ MISE EN GARDE : Risque d'électrocution. Ne pas utiliser à l'extérieur. N'exposez pas à la pluie. Entreposez à l'intérieur.

Les signaux d'information ci-après indiquent les situations potentiellement dangereuses pour l'opérateur ou l'équipement :

POUR VOTRE SECURITÉ :

1. N'utilisez pas la machine :
 - avec des liquides inflammables ou près de vapeurs inflammables, afin d'éviter le risque d'explosion ou d'incendie instantané.
 - Si vous n'y êtes pas formé et autorisé.
 - Avant d'avoir lu et compris le manuel opérateur.
 - Si le cordon n'est pas correctement relié à la terre.
 - Avec des cordons ou prises endommagés.
 - Si elle n'est pas en bon état de marche.
 - À l'extérieur.
 - Dans l'eau stagnante.
 - Avec une rallonge.
2. Avant de mettre en marche la machine :
 - Assurez-vous que tous les dispositifs de sécurité se trouvent à leur place et fonctionnent correctement.
 - Retirez les objets encombrant le sol afin d'éviter des projectiles dangereux au cas où les objets seraient heurtés par un patin en cours de rotation.
 - Placez les signes SOL HUMIDE si nécessaire.
3. Lors de l'utilisation de la machine :
 - Éloignez-vous d'un patin en cours de rotation.
 - Ne tirez pas la machine par la prise ou le cordon.
 - Ne roulez pas sur le cordon avec l'appareil.
 - Ne tirez pas le cordon près des bords ou des coins vifs.
 - Ne fermez pas de portes sur le cordon.
 - Ne débranchez pas l'appareil en tirant sur le cordon.
 - N'étirez pas le cordon.
 - Ne manipulez pas la prise avec des mains mouillées.
 - Éloignez le cordon des surfaces chaudes.
 - Suivez les instructions de mélange et de manipulation indiquées sur les conteneurs chimiques.

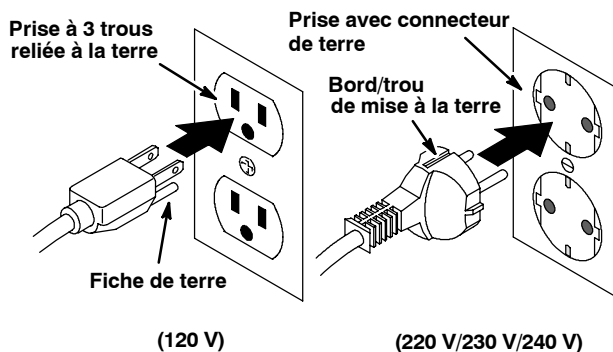
FONCTIONNEMENT

- Ne mettez jamais la machine sous tension lorsque la poignée est en position verticale.
 - Ne relâchez les poignées qu'après l'arrêt complet du patin.
 - Roulez lentement sur les pentes et sur les surfaces glissantes.
 - Portez des chaussures antidérapantes.
 - Signalez immédiatement tout dommage occasionné à la machine ou tout mauvais fonctionnement.
 - Empêchez les enfants de jouer à proximité de la machine.
4. Avant de quitter ou d'entretenir la machine :
- Coupez le contact de la machine.
 - Débranchez le cordon de la prise murale.
5. Lors de l'entretien de la machine :
- Débranchez le cordon de la prise murale.
 - Évitez les pièces mobiles. Ne portez pas de veste ou de chemise large ou de manches amples.
 - Utilisez des pièces de rechanges fournies ou agréées par le fabricant.
 - Toutes les réparations doivent être effectuées uniquement par un technicien qualifié.
 - Ne modifiez pas le design d'origine de la machine.
6. Lors du transport de la machine :
- Demandez de l'aide pour soulever la machine.
 - Débranchez le cordon de la prise murale.
 - Utilisez des sangles pour arrimer la machine sur le camion ou la remorque.

INSTRUCTIONS DE MISE À LA TERRE

La machine doit être mise à la terre. En cas de dysfonctionnement ou de panne, la mise à la terre offre une voie de moindre résistance au courant électrique, afin de réduire le risque de décharge électrique. Cette machine est équipée d'un cordon muni d'un conducteur de terre principale et d'une fiche avec mise à la terre. La fiche doit être branchée sur une prise appropriée montée correctement, conformément aux réglementations et codes en vigueur au niveau local. Ne supprimez pas la fiche de mise à la terre ; si celle-ci manque, remplacez la prise avant d'utiliser la machine.

(Modèles 120 V) : Cette machine est prévue pour une utilisation sur un circuit nominal de 120 volts et elle possède une fiche de mise à la terre qui ressemble à la fiche illustrée sur le croquis. Veillez à ce que la machine soit branchée sur une prise de courant ayant la même configuration que la fiche. Cette machine ne doit pas être utilisée avec un adaptateur.



ÉTIQUETTE DE MISE EN GARDE

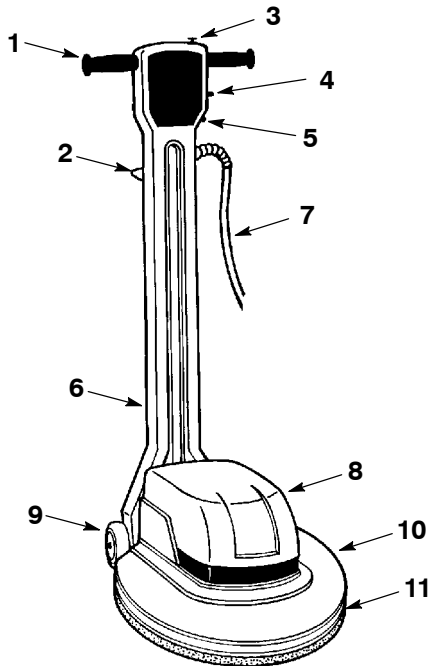
L'étiquette de mise en garde apparaît sur la machine à l'emplacement indiqué. Remplacez l'étiquette lorsqu'elle est endommagée ou qu'elle devient illisible.



ÉTIQUETTE MISE EN GARDE - SITUÉE AU DOS DE LA POIGNÉE DE LA MACHINE.

⚠ WARNING	
	
	
	
<p>EXPLOSION, FIRE AND SHOCK HAZARD. AVOID INJURY.</p> <ul style="list-style-type: none"> • Do Not Use Flammable Liquids or Operate Near Flammable Liquids, Vapors or Combustible Dusts. • Do Not Operate With Damaged Power Cord. Do Not Modify Plug. Unplug Power Cord Before Servicing Machine. • Do Not Use Outdoors. Do Not Expose to Rain. Store Indoors. 	
⚠ AVERTISSEMENT	
<p>RISQUE D'EXPLOSION, D'INCENDIE ET DE DÉCHARGE. ÉVITEZ LES BLESSURES.</p> <ul style="list-style-type: none"> • N'utilisez Pas Près de Liquides Inflammables ou Près de Liquides ou Vapeurs Inflammables ou Poussières Combustibles. • N'utilisez Pas la Machine Avec un Cordon d'Alimentation Endommagé. Ne Modifiez Pas la Prise. Débranchez le Cordon d'Alimentation Avant d'Entretien la Machine. • N'utilisez Pas en Extérieur. N'Exposez Pas à la Pluie. Entrezposez à l'Intérieur. 	
⚠ ADVERTENCIA	
<p>PELIGRO DE EXPLOSIÓN, FUEGO, DESCARGA EVITE LESIONES.</p> <ul style="list-style-type: none"> • No Use Líquidos Flamables Y No Use Cerca De Líquidos Flamables, Vapores Ó Materiales Combustibles. • No Use Con Cable De Corriente Dañado. No Altere El Enchufe. Desconecte Cable De Corriente Antes Del Mantenimiento. • No Use Al Aire Libre. No Exponga A La Lluvia. Guarde Bajo Techo. 	
<small>1026385</small>	

COMPOSANTS DE LA MACHINE



1. Poignées de Marche/Arrêt
2. Levier d'ajustement de hauteur de poignée
3. Bouton du verrouillage de sécurité
4. Sélecteur de vitesse (Modèle à vitesse double)
5. Bouton de réenclenchement du coupe-circuit
6. Crochet du cordon d'alimentation
7. Cordon d'alimentation de 15 m (50 ft.)
8. Capot du moteur
9. Roues de transport 102 mm (4 in.)
10. Scrub Head Base
11. Pare-chocs

MISE EN SERVICE DE LA MACHINE

Vérifiez soigneusement si le carton ne présente pas de dommages. Signalez immédiatement tout dommage au transporteur.

INSTALLATION DU SYSTÈME D'ENTRAÎNEMENT DU PATIN / PATIN / BROSSE

POUR VOTRE SECURITÉ : Avant de quitter ou d'entretenir la machine, débranchez le cordon de la prise murale.

ATTENTION : si vous nettoyez des moquettes, reportez-vous à la section "NETTOYAGE DE MOQUETTES" de ce manuel.

1. Avec la poignée n position droite, basculez prudemment la machine vers l'arrière et posez la poignée sur le sol.
2. Placez le patin sur le système d'entraînement du patin. Si la machine est équipée d'un verrou central en plastique, bloquez le patin à l'aide du verrou.

REMARQUE : consultez votre distributeur agréé pour toute recommandation en matière de patin et de brosse. Utilisez uniquement des systèmes d'entraînement et des brosses fournis ou approuvés par le fabricant.

3. Positionnez le système d'entraînement du patin/la brosse sur le moyeu d'entraînement et tournez-le/la dans le sens contraire des aiguilles d'une montre pour l'engager (Figure 1).

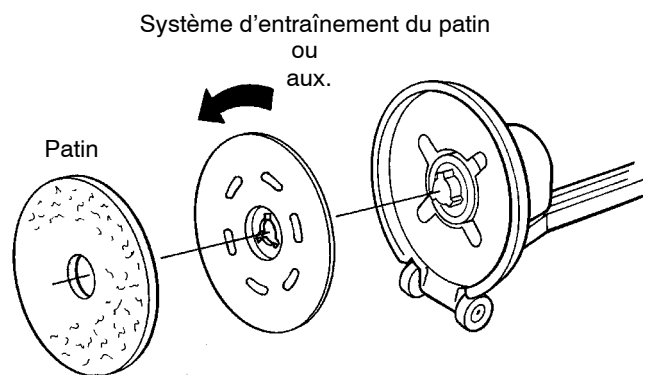


FIG. 1

4. Ramenez la machine en position droite.

FONCTIONNEMENT DE L'APPAREIL

POUR VOTRE SECURITÉ : n'utilisez pas la machine avant d'avoir lu et compris le manuel opérateur.

⚠ MISE EN GARDE : danger d'incendie ou d'explosion. N'utilisez jamais la machine dans ou à proximité de liquides et vapeurs inflammables ou de poussières combustibles.

FONCTIONNEMENT DE LA MACHINE

1. Branchez le cordon d'alimentation sur une prise murale mise à la terre (Figure 2).

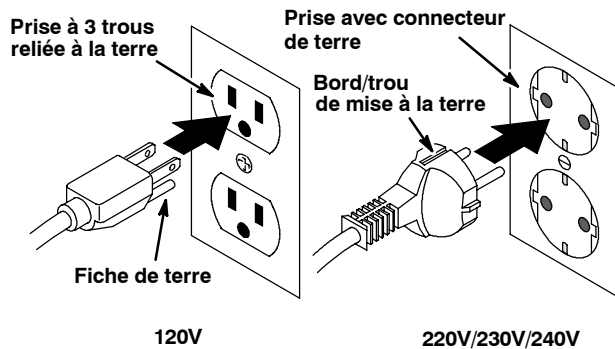


FIG. 2

POUR VOTRE SECURITÉ : danger électrique. N'utilisez la machine que si le cordon est correctement relié à la terre. N'utilisez pas la machine avec un cordon ou une prise endommagés. N'utilisez pas la machine avec une rallonge.

2. Pour les modèles Dual Speed (double vitesse), sélectionnez le régime moteur approprié. Placez le sélecteur de vitesse vers le bas (185 tr/min) pour le brossage, le décapage et le nettoyage de moquettes. Placez le sélecteur de vitesse vers le haut (300 tr/min) pour le polissage avec pulvérisation (Figure 3).

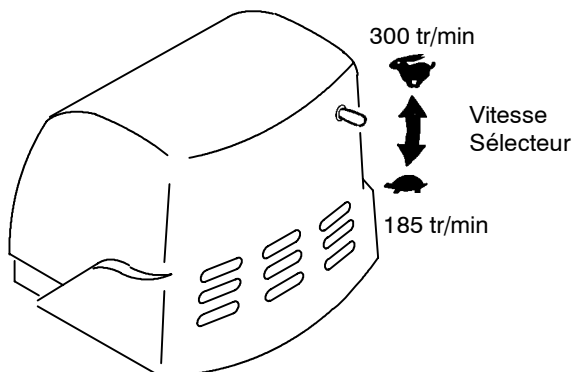


FIG. 3

3. Abaissez la poignée à une hauteur de manipulation confortable en tirant vers le haut le levier d'ajustement de hauteur de la poignée. Relâchez le levier pour engager la poignée (Figure 4).

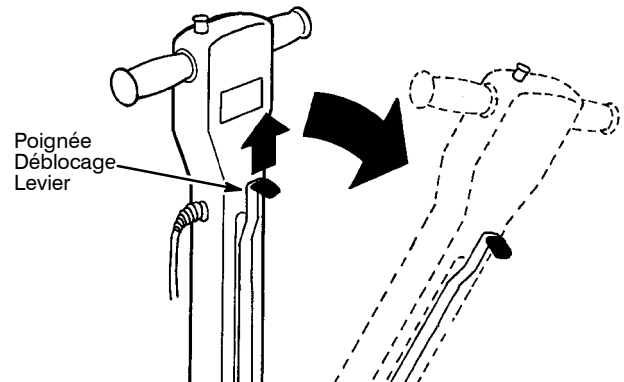


FIG. 4

REMARQUE : Pour les personnes utilisant la machine pour la première fois, exercez-vous avec un patin de polissage moins agressif.

5. Pour démarrer le brossage, tenez fermement les poignées, appuyez sur le bouton de verrouillage de sécurité et inclinez les poignées vers l'avant. Une fois que la machine démarre, relâchez le boutons de verrouillage de sécurité (Figure 5).

ATTENTION : Soyez prudent lors du démarrage, la machine tressaute lorsque les poignées sont tournées.

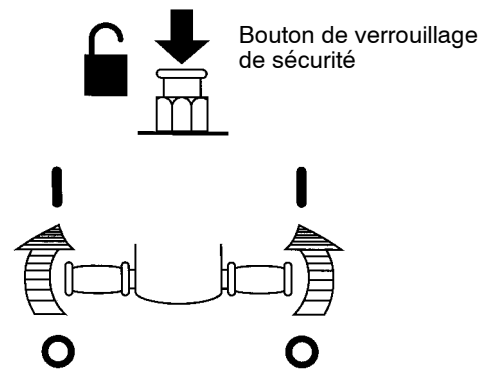


FIG. 5

FONCTIONNEMENT

6. Pour déplacer la machine vers la gauche (A), abaissez légèrement la poignée. Pour déplacer la machine vers la droite (B), soulevez légèrement la poignée. Manipulez la machine avec un mouvement latéral (Figure 6).

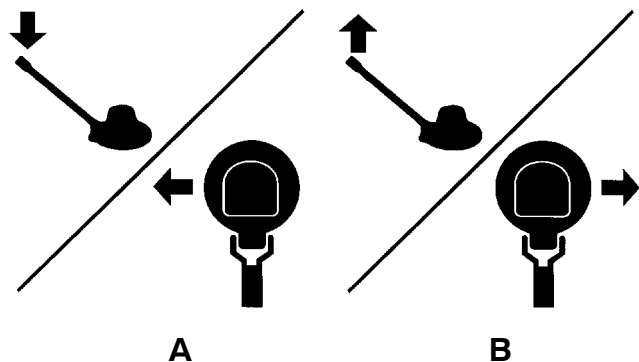


FIG. 6

REMARQUE : Lorsque le patin devient sale, retirez le patin et retournez-le pour exposer le côté propre. Retirez et lavez le patin lorsque les deux faces sont sales.

7. Pour arrêter la machine, tournez les poignées vers l'arrière et maintenez fermement les poignées jusqu'à ce que la machine s'arrête complètement. Le bouton du verrouillage de sécurité s'engage automatiquement.

POUR VOTRE SECURITÉ : Lorsque vous utilisez la machine, ne relâchez la poignée qu'après l'arrêt complet du patin.

REMARQUE : Le coupe-circuit de la machine risque de se déclencher dans des conditions de surcharge. Passez à un patin/une brosse moins agressifs et contrôlez périodiquement l'accumulation de saleté sur le patin. Pour réenclencher le coupe-circuit, attendez 15 secondes et appuyez sur le bouton de réenclenchement situé sur la poignée.

8. N'utilisez pas la machine sur le même emplacement pendant une longue période de temps. Ceci risque d'endommager le sol.
9. Afin de manœuvrer au-dessus des seuils de porte et des grilles de plancher, arrêtez la machine et basculez-la de nouveau sur les roulettes de transport.
10. Lorsqu'elle n'est pas utilisée, ne laissez pas la machine reposer sur le patin/la brosse. Le patin/la brosse risque de s'endommager.
11. Lorsque le brossage est terminé, exécutez les procédures de nettoyages suivantes.

UTILISATION DU RÉSERVOIR DE SOLUTION EN OPTION

1. Remplissez le réservoir de solution avec une solution recommandée.

⚠ MISE EN GARDE : danger d'incendie ou d'explosion. N'utilisez jamais de liquides inflammables.

POUR VOTRE SECURITÉ : lorsque vous utilisez la machine, suivez les instructions de mélange et de manipulation indiquées sur les conteneurs chimiques.

2. Abaissez la poignée en position de fonctionnement. Tirez sur le bouton de commande de solution pour disperser la solution vers le patin/la brosse.

NETTOYAGE DES MOQUETTES

Brosse à moquette et shampoing requise N'utilisez pas une brosse prévue pour des sols durs ; vous risquez de vous blesser et d'endommager la moquette. Commandez la brosse pour moquette et shampoing n° 604989 (43cm / 17in), 607463(43cm / 17in) ou consultez votre distributeur ou votre revendeur pour des conseils.

Avant d'utiliser la machine sur une moquette, celle-ci doit être pulvérisée avec une solution de nettoyage approuvée. La solution agit en tant que lubrifiant pour permettre à la brosse pour shampoing de tourner avec une faible résistance.

POUR VOTRE SECURITÉ: Afin d'éviter des tressautements lors du démarrage de la machine sur de la moquette, utilisez une brosse pour moquette et shampoing recommandée et pulvériser la moquette au préalable.

Lorsque vous utilisez un modèle Dual Speed (double vitesse) pour nettoyer des moquettes, n'utilisez pas la machine à haute vitesse ; vous risquez de provoquer des blessures.

Pour les meilleurs résultats, laissez pénétrer la solution de nettoyage pulvérisée sur la moquette pendant environ 10 à 12 minutes, avant d'effectuer le brossage. À l'aide uniquement d'une brosse pour moquette et shampoing, faites fonctionner la machine à une allure graduelle et constante.

Après le brossage et lorsque la moquette est encore humide, utilisez un extracteur ou aspirateur pour surfaces humides, pour récupérer la saleté en suspension et la mousse. Passez ensuite l'aspirateur sur la moquette, lorsque celle-ci est totalement sèche.

ENTRETIEN DE LA MACHINE

⚠ MISE EN GARDE : danger électrique.
Débranchez le cordon d'alimentation avant d'entretenir la machine

1. Retirez et nettoyez le système d'entraînement du patin/la brosse après chaque utilisation.
2. Nettoyez la base de la machine après chaque utilisation.
3. Le cas échéant, rincez à l'eau claire le réservoir de solution et le tuyau d'alimentation en solution.
4. Vérifiez l'endommagement du cordon d'alimentation après chaque utilisation. S'il est usé ou endommagé, remplacez immédiatement le cordon.
5. Après chaque utilisation, essuyez le câble d'alimentation avec un chiffon humidifié et entourez-le avec soin autour du crochet du câble et de la poignée.
6. Vérifiez périodiquement le serrage de tous les boulons et écrous.
7. Toutes les 250 heures de service, vérifiez le degré d'usure des balais au charbon du moteur. Remplacez les brosses lorsque la longueur des poils est de 1 cm ou moins. Contactez un centre d'entretien agréé pour un contrôle des balais de charbon.

POUR VOTRE SECURITÉ : Lors du dépannage de la machine, toutes les réparations doivent être effectuées uniquement par un technicien qualifié.

TRANSPORT DE LA MACHINE

1. Débranchez le cordon d'alimentation et retirez le patin de la machine. Enroulez soigneusement le cordon autour des du crochet du câble et de la poignée afin d'éviter son endommagement.
2. Chargez la machine à l'aide d'une rampe de chargement appropriée ou soulevez délicatement la machine, avec une aide adéquate.

POUR VOTRE SECURITÉ : Lors du transport la machine, demandez de l'aide pour soulever la machine.

3. En cas de transport par véhicule, arrimez la machine avec des sangles.

ENTREPOSAGE DE LA MACHINE

1. Retirez la brosse/le système d'entraînement du patin et enroulez avec soin le câble autour des crochet du câble et de la poignée.
2. Entrez la machine verticalement à l'abri de l'humidité.

⚠ MISE EN GARDE : Risque d'électrocution.
Ne pas utiliser à l'extérieur. N'exposez pas à la pluie. Entrez à l'intérieur.

ARTICLES DE STOCK RECOMMANDÉS

Reportez-vous à la section Liste des pièces du manuel pour les articles de stock recommandés. Les articles de stock sont clairement identifiés à l'aide d'un point précédant la description de la pièce. Voir l'exemple ci-dessous :

Ref.	Part No.	Description	Qty.
1	701103	ASM., STANDPIPE	1
2	180613	● FLOAT, SHUTOFF	1
3	230197	NIPPLE	1
4	101714	● GASKET	1
5	210240	NUT, FLANGED	1

FONCTIONNEMENT

DÉPISTAGE DES PANNES

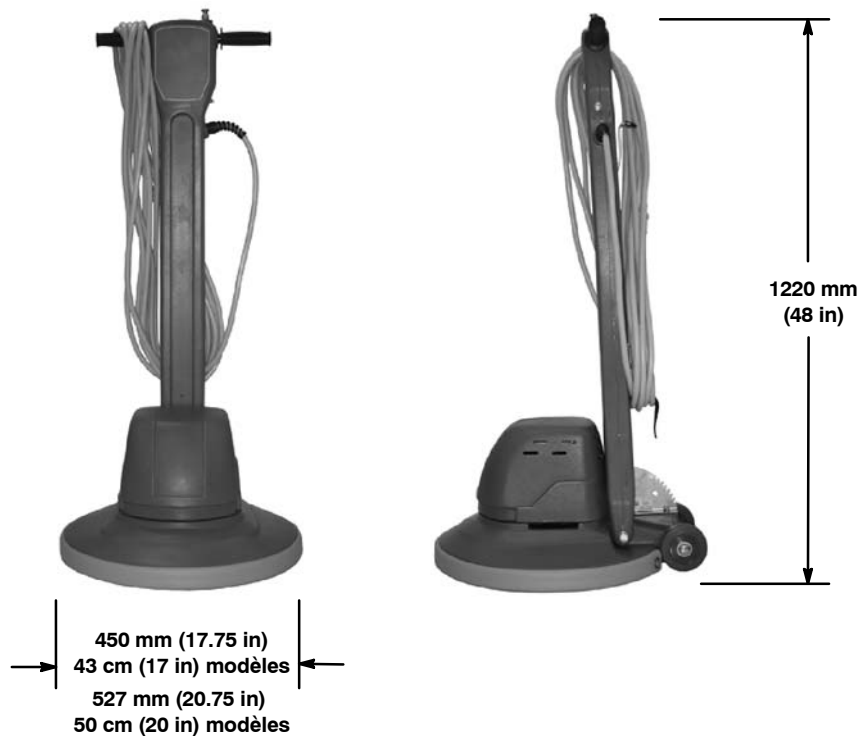
PROBLÈME	CAUSE	REMÈDE
La machine ne fonctionne pas.	Cordon d'alimentation défectueux.	Contactez le service de dépannage.
	Coupe-circuit déclenché.	Réenclenchez le coupe-circuit de la machine.
	Coupe-circuit du bâtiment déclenché.	Réenclenchez le coupe-circuit dans le bâtiment.
	Câblage de la machine défectueux.	Contactez le service de dépannage.
	Commutateur marche/arrêt de poignée défectueux	Contactez le service de dépannage.
	Moteur défectueux.	Contactez le service de dépannage.
	Condensateur grillé (Modèles à vitesse unique).	Contactez le service de dépannage.
	Redresseur grillé (Modèles à double vitesse).	Contactez le service de dépannage.
La machine fonctionne avec un mouvement tremblant ou saccadé.	Patin sali.	Remplacez le patin.
	Patin/brosse impropre pour l'application.	Placez le patin/la brosse adéquats.
	Système d'entraînement du patin/brosse mal installé.	Retirez et réinstallez le système d'entraînement du patin/la brosse.
	Patin/brosse usés de manière inégale.	Remplacez le patin/la brosse.
	Patin mal centré sur système d'entraînement du patin.	Retirez et réinstallez le patin.
Le coupe-circuit de la machine se déclenche continuellement.	Patin/brosse fortement souillés.	Nettoyez ou remplacez le patin/la brosse.
	Patin/brosse impropre pour l'application.	Placez le patin/la brosse adéquats.
	Coupe-circuit défectueux.	Contactez le service de dépannage.
	Balais au charbon du moteur usé.	Contactez le service de dépannage.

DONNÉES TECHNIQUES

MODÈLE	F5 43 cm (17 in)	F5 50 cm (20 in)	F10 43 cm (17 in)	F10 50 cm (20 in)
LARGEUR	450 mm (17.75 in)	527 mm (20.75 in)	450 mm (17.75 in)	527 mm (20.75 in)
HAUTEUR	1220 mm (48 in)	1220 mm (48 in)	1220 mm (48 in)	1220 mm (48 in)
POIDS	43Kg (95 lbs)	43Kg (95 lbs)	43Kg (95 lbs)	43Kg (95 lbs)
MOTEUR D'ENTRAÎNEMENT	120V, 1.5 hp 12A, 60Hz	120V, 1.5 hp 12A, 60Hz	120V, 1.5 hp 12A, 60Hz	120V, 1.5 hp 12A, 60Hz
	240V, 1.1 kW, 7A, 50Hz	230V, 1.1 kW, 7A, 50Hz		230V, 1.1kW, 7A, 60Hz
	230V, 1.1 kW, 7A, 60Hz	220V, 1.1 kW, 7A, 60Hz		
VITESSE DU PATIN/DE LA BROSSE	175 tr/min.	175 tr/min.	185/330 tr/min.	185/330 tr/min.
LONGUEUR DU CORDON D'ALIMENTATION	15M (50 ft)	15M (50 ft)	15M (50 ft)	15M (50 ft)
DIA BROSSE/PATIN	432 mm (17 in)	508 mm (20 in)	432 mm (17 in)	508 mm (20 in)
NIVEAU SONORE AU NIVEAU DE L'OREILLE DE L'OPÉRATEUR, À L'INTÉRIEUR SUR DU CARRELAGE	<70dB(A)	<70dB(A)	71 dB(A) à faible vitesse 73dB(A) à grande vitesse	71dB(A) à faible vitesse 73dB(A) à grande vitesse

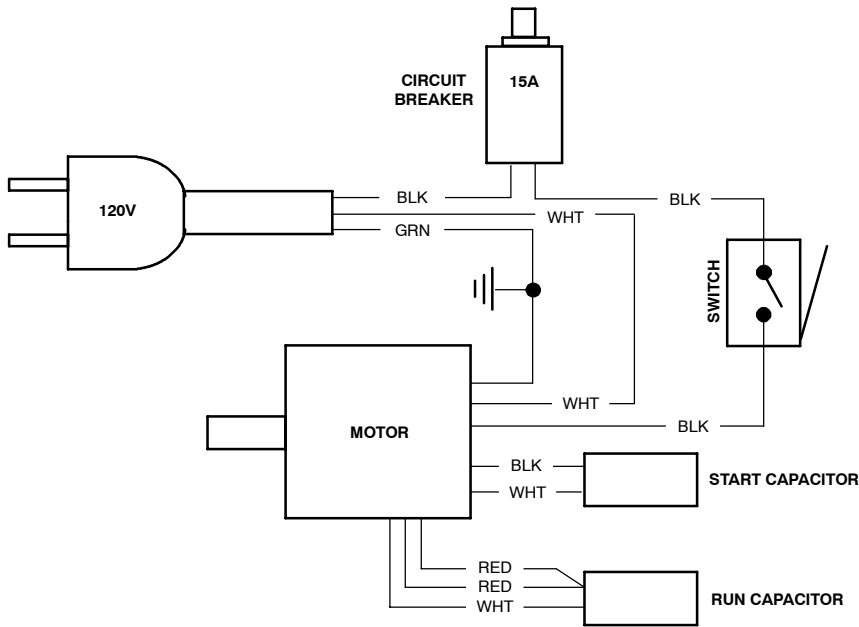
Les spécifications sont susceptibles d'être modifiées sans préavis.

DIMENSIONS DE LA MACHINE

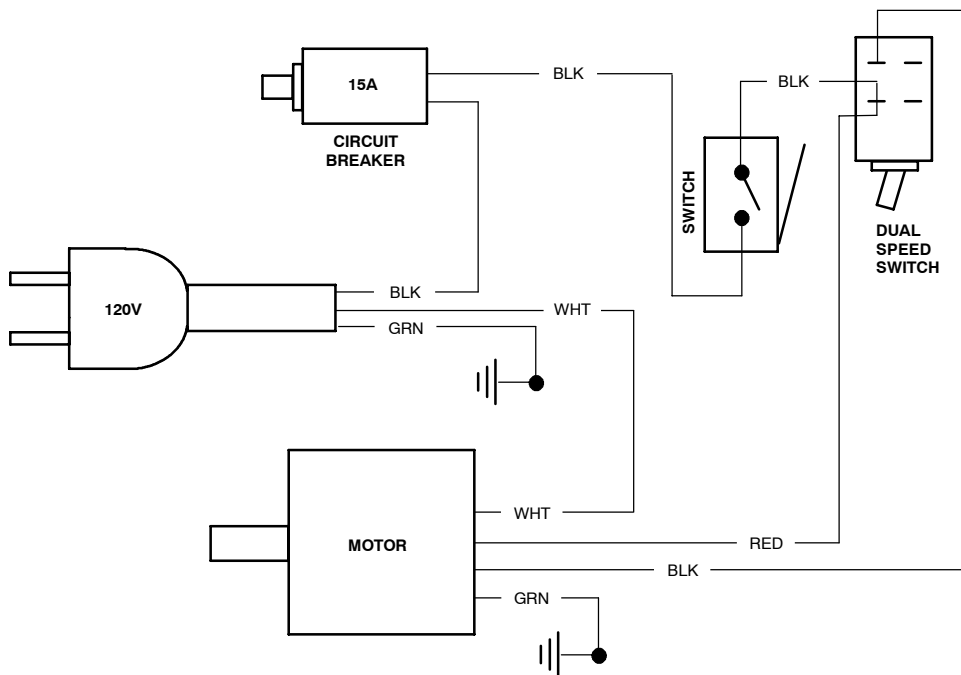


ELECTRICAL DIAGRAMS - DIAGRAMAS ELECTRICAS - SYSTEM ÉLECTRIQUE

SINGLE SPEED MODEL - 120V MODELOS DE VELOCIDAD SOLA MODÈLE SIMPLE DE VITESSE

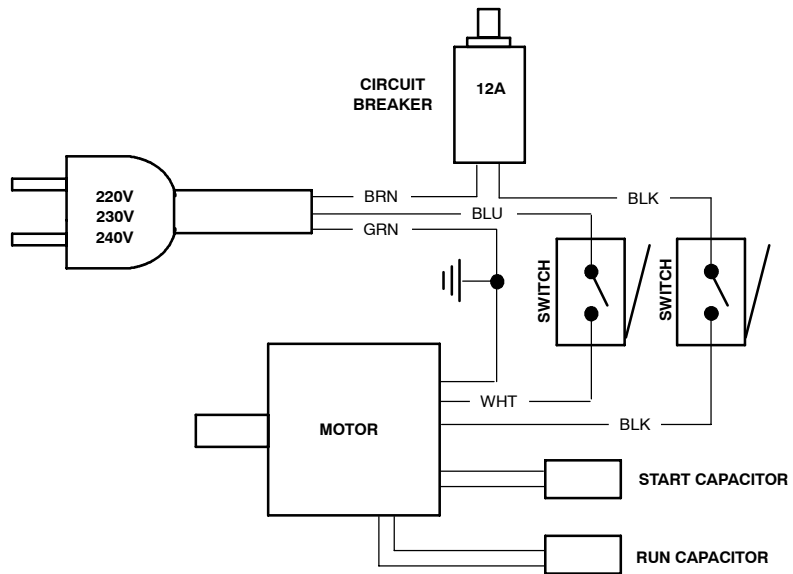


DUAL SPEED MODEL - 120V MODELOS DE DOS VELOCIDADES MODÈLE DUEL DE VITESSE

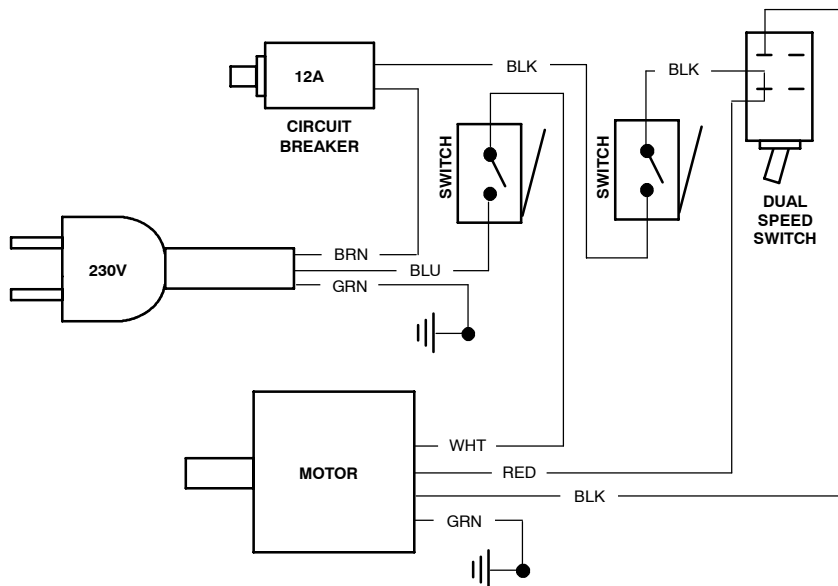


ELECTRICAL DIAGRAMS - DIAGRAMAS ELECTRICAS - SYSTEM ÉLECTRIQUE

SINGLE SPEED MODEL - 220V/230V/240V MODELOS DE VELOCIDAD SOLA MODÈLE SIMPLE DE VITESSE

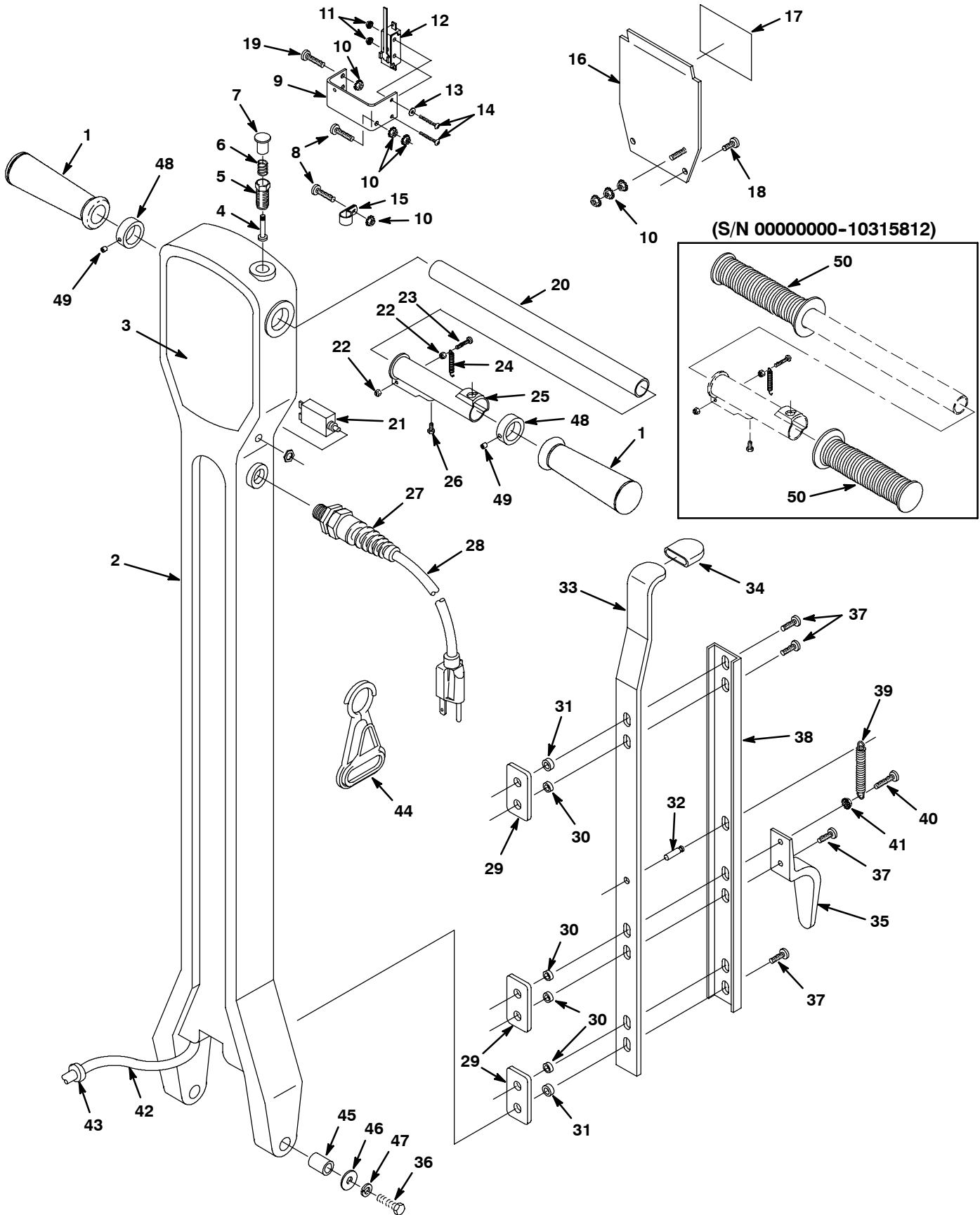


DUAL SPEED MODEL - 220V/230V/240V MODELOS DE DOS VELOCIDADES MODÈLE DUEL DE VITESSE



PARTS LIST - LISTA DE PIEZAS - LISTE DES PIÈCES

HANDLE GROUP / GRUPO DEL ASA / GROUPE DE POIGNÉE



PARTS LIST - LISTA DE PIEZAS - LISTE DES PIÈCES

HANDLE GROUP / GRUPO DEL ASA / GROUPE DE POIGNÉE

REF	PART #	DESCRIPTION	QTY.
1	222648	GRIP, HANDLE, RND (S/N 10315813-)	2
2	607637	HANDLE, RM-TL	1
3	1026399	LABEL, MODEL F-SERIES	1
4	230856	PIN, LOCK RELEASE	1
5	230857	SOCKET, LOCK	1
6	140401	SPRING, CMPR, LOCK BUTTON	1
7	230855	KNOB, LOCK RELEASE BUTTON	1
8	140900	SCREW, TRS, #10-24X0.75 PHL SS	2
9	230854	BRACKET, SWITCH	1
10	140519	NUT, HEX LOCK, #10-24 KEP SS	8
11	140539	NUT, HEX LOCK, #06-32 KEP SS	2
12	1013132	●SWITCH, LEVER, SNAP ACTION (120V)	1
		●SWITCH, LEVER, SNAP ACTION (220V/230V/240V)	2
13	140032	WASHER, FLAT #6 SS	1
14	140829	SCREW, PAN, #6-32X1.00, PHL SS (120V)	2
	140830	SCREW, PAN, #06-32X1.62 PHL ZN (220V/230V/240V)	2
15	140324	CLAMP, CABLE, NYL, 0.31D, BLACK (SINGLE SPD MODELS)	1
	140328	CLAMP, CABLE, NYL, 0.38D, BLACK (DUAL SPD MODEL)	1
∇ 16	9001922	PLATE, HANDLE, REAR W/LABEL	1
▲ 17	1026385	LABEL, WARN, 4X4, AC, FLR MACH	1
18	140197	SCREW, TRS, #10-24X0.38 PHL SS SEM	2
19	140823	SCREW, TRS, #10-24X0.62 PHL SS	3
20	230853	TUBE, RND, 00.88D 00.76B 15.0L STL	1
21	603487AM	●CIRCUIT BREAKER, 15.0A (120V) (SINGLE SPD MODELS)	1
	130670AM	●CIRCUIT BREAKER, 12.0A (220V/230V/240V)	1
	1006477	●CIRCUIT BREAKER, 17.0A (120V) (DUAL SPD MODELS)	1
22	28990	NUT, HEX, 8-32, NY	2

∇ ASSEMBLY / CONJUNTO / ENSEMBLE

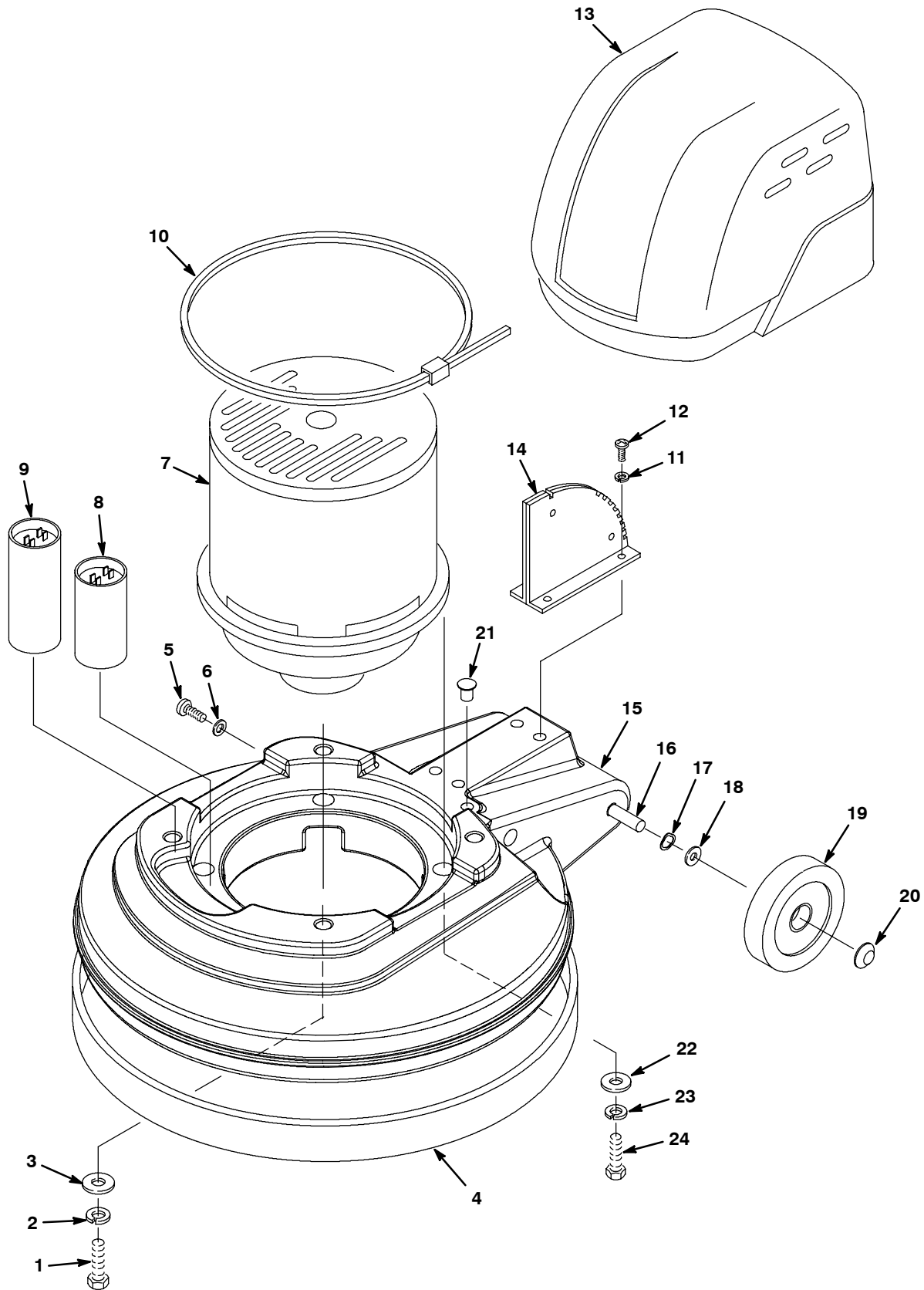
▲ INCLUDED IN ASSEMBLY / INCLUIDO A CONJUNTA / Y COMPRIS EN ENSEMBLE

● RECOMMENDED STOCK ITEM / PIEZAS RECOMENDADAS EN ALMACÉN / ÉLÉMENTS DE STOCK RECOMMANDÉS

REF	PART #	DESCRIPTION	QTY.
23	6010.16	SCREW, PAN, #08-32X1.00	1
24	600987	SPRING EXTN .25X1.25X.026 MW	1
25	100355	SLEEVE, LOCKING, GRIP, HANDLE	1
26	24672	SCREW, HEX .25-20X0.75 SS	1
27	602849	●STRAINRELIEF, CORD, ELE .05NPT BLK NYL (120V)	1
	130167	●STRAINRELIEF, CORD, ELE .05NPT BLK NYL (220V/230V/240V)	1
28	602747	●CORD, POWER 14/3 50FT YEL (120V)	1
	600324	●CORD, ELE, 3X1.5MM2X15M BLK (220V/230V/240V)	1
29	230852	PLATE, BACKING	3
30	140147	SLEEVE, P/M, 0.440D 0.255B 0.21L STL PLT	4
31	140146	SLEEVE, P/M, 0.500D 0.255B 0.21L STL PLT	2
32	140604	PIN, GRV 0.25X.75 TYPE G ZN	1
33	611141	HANDLE, LATCH	1
34	200821	GRIP, LATCH, HDL, 1.62X1.25X1 BLK	1
35	602750	HOOK, CORD	1
36	140235	SCREW, HEX .50-13X2.00 SS	2
37	140864	SCREW, TRS, .25-20X0.75 PHL SS	5
38	230859	CHANNEL, LATCH HANDLE	1
39	140402	SPRING, EXTN, 0.36ODX.04 WIR 1.75L	1
40	140881	SCREW, TRS, .25-20X1.00 ZN	1
41	140524	NUT, KEP, .25-20 ZN	1
42	130204	CORD, 14GA/3X054.0L BLK	1
43	130141	STRAINRELIEF, BUSHING, SR7L-2	1
44	130176	●CLIP, CORD STRAIN-RELIEF YELLOW (BELT) (OPTIONAL)	1
45	140148	SLEEVE, P/M 0.625D 0.507B 1.40L STL PLT	2
46	3148.816	WASHER, FLAT, 0.52B 0.88D .06 STL ZN	2
47	140024	WASHER, LOCK, SPLT 0.50 SS	2
48	605094	COLLAR, HANDLE (S/N 10315813-)	2
49	140859	SCREW, SET, .25-20 X 0.25, SOC (S/N 10315813-)	2
50	200823	GRIP, HANDLE TUBE (S/N 00000000-10315812)	2

PARTS LIST - LISTA DE PIEZAS - LISTE DES PIÈCES

BASE GROUP, SINGLE SPEED / GRUPO BASE, VELOCIDAD SOLA / GROUPE BAS, VITESSE SIMPLE



PARTS LIST - LISTA DE PIEZAS - LISTE DES PIÈCES

BASE GROUP, SINGLE SPEED / GRUPO BASE, VELOCIDAD SOLA / GROUPE BAS, VITESSE SIMPLE

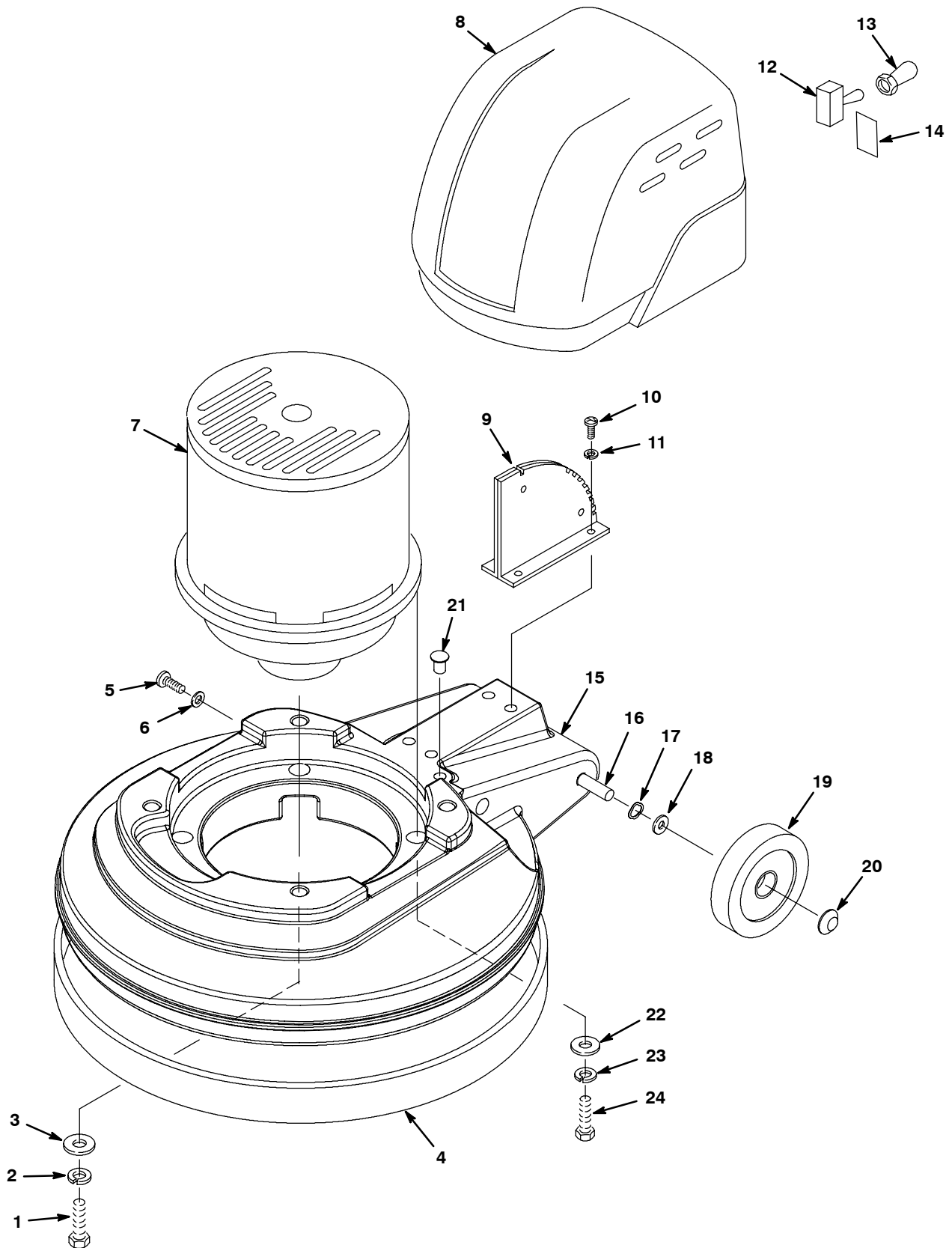
REF	PART #	DESCRIPTION	QTY.
1	579212	SCREW, HEX, .25-20X2.00 SS	4
2	140016	WASHER, LOCK, SPLT, 0.25 SS	4
3	140053	WASHER, FLAT, 0.28B 0.88D .12 SS	4
4	602543	BUMPER, 17" (17" MODELS)	1
	602545	BUMPER, 20" F/M (20" MODELS)	1
5	140824	SCREW, TRS, .25-20X0.62 PHL SS	2
6	140003	WASHER, 1/4X1 FNDR SS	2
▽ 7	9001189	MOTOR KIT, ELE, 120VAC 1.5HP, REPLMT	1
▲	1020409	COUPLING, MOTOR	1
▲	1020410	GEARBOX, 10:1, IMPERIAL	1
▲ 8	1017275	●CAPACITOR, 60uF, IMPERIAL (RUN)	1
▲ 9	1017274	●CAPACITOR, 450uF, IMPERIAL (START)	1
▲ 10	222809	TIE, CABLE, NYL, 29.8L .30W 9.0 MAX D	1
▽ 7	1040277	MOTOR, ELE, 230VAC 50HZ 1.50HP (S/N 10369854-)	1
▲	1040430	●GEARBOX, MOTOR, 230VAC 1.50HP 50HZ (S/N 10369854-)	
▲	1040431	●COUPLING, MOTOR, 230VAC 1.50HP 50HZ (S/N 10369854-)	
▲ 8	1048620	●CAPACITOR, MOTOR, RUN, 30UF (S/N 10369854-)	
▲ 9	1040432	●CAPACITOR, START, 230VAC 1.50HP 50HZ (S/N 10369854-)	1
▲ 10	222809	TIE, CABLE, NYL, 29.8L .30W 9.0 MAX D	1
▽ 7	600807	MOTOR, 230VAC 1.50HP 50HZ (REPLACED BY MOTOR 1040277) (S/N 00000000-10369853)	1
▲ 8	605286	●CAPACITOR, MOTOR, 20MFD, RUN (SILVER) (220V/230V/240V) (S/N 00000000-10369853)	
▲ 9	130762	●CAPACITOR, START 110V (BLACK) (220V/230V/240V) (S/N 00000000-10369853)	1
▲ 10	222809	TIE, CABLE, NYL, 29.8L .30W 9.0 MAX D	1
▽ 7	9003447	MOTOR, 230VAC 1.50HP 60HZ (S/N 10369854-)	1
▲ 8	1017275	●CAPACITOR, 60uF, IMPERIAL (RUN)	1
▲ 9	1017274	●CAPACITOR, 450uF, IMPERIAL (START)	1
▲ 10	222809	TIE, CABLE, NYL, 29.8L .30W 9.0 MAX D	1

REF	PART #	DESCRIPTION	QTY.
▽ 7	9003446	MOTOR, 240VAC 1.50HP 60HZ (REPLACED BY MOTOR 9003447) (S/N 00000000-10369853)	1
▲	1020409	COUPLING, MOTOR (S/N 00000000-10369853)	1
▲	1020410	GEARBOX, 10:1, IMPERIAL (S/N 00000000-10369853)	1
▲ 8	1017275	●CAPACITOR, 60uF, IMPERIAL (RUN)	1
▲ 9	1017274	●CAPACITOR, 450uF, IMPERIAL (START)	1
▲ 10	222809	TIE, CABLE, NYL, 29.8L .30W 9.0 MAX D	1
11	140015	WASHER, LOCK, SPLT, 0.31 SS	4
12	140226	SCREW, HEX, .31-18X0.62 SS	4
13	607635	COVER, MOTOR, RM-TL	1
14	611133	PLATE LATCH	1
15	1027334	BASE, 17" RM-GRAY	1
	1027336	BASE, 20" RM-GRAY	1
16	608909	AXLE, .5DX10.040	1
17	4252	WASHER, FLAT .50 COMPRESSION ZN	2
18	3148.816	WASHER, FLAT, 0.52B 0.88D .06, STL ZN	2
19	103066	●WHEEL, 4.0D 1.50W .50B GRAY	2
20	103019	CAP, HUB, WHEEL, 0.51D SS	2
21	130198	PLUG, PRY OUT .500 OD - BLACK	1
22	140003	WASHER, 1/4X1 FNDR SS	8
23	140016	WASHER, LOCK 0.25 SS	4
24	140212	SCREW, HEX, .25-20X1.50 SS	4

- ▽ ASSEMBLY / CONJUNTO / ENSEMBLE
- ▲ INCLUDED IN ASSEMBLY / INCLUIDO A CONJUNTA / Y COMPRIS EN ENSEMBLE
- RECOMMENDED STOCK ITEM / PIEZAS RECOMENDADAS EN ALMACÉN / ÉLÉMENTS DE STOCK RECOMMANDÉS

PARTS LIST - LISTA DE PIEZAS - LISTE DES PIÈCES

BASE GROUP, DUAL SPEED / GRUPO BASE, VELOCIDAD DUAL / GROUPE BAS, VITESSE DUELLE



PARTS LIST - LISTA DE PIEZAS - LISTE DES PIÈCES

BASE GROUP, DUAL SPEED / GRUPO BASE, VELOCIDAD DUAL / GROUPE BAS, VITESSE DUELLE

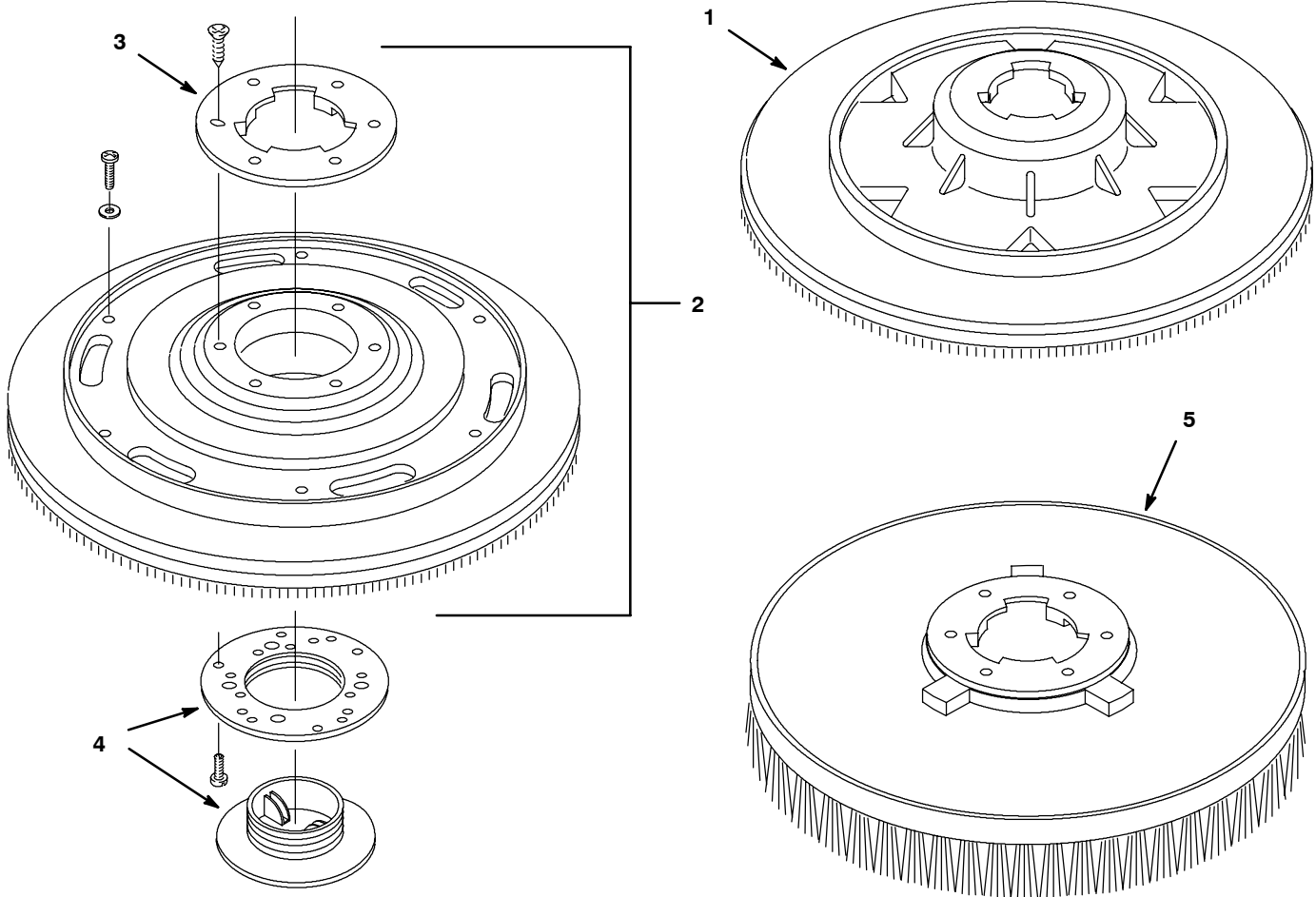
REF	PART #	DESCRIPTION	QTY.
1	579212	SCREW, HEX, .25-20X2.00 SS	4
2	140016	WASHER, LOCK, SPLT, 0.25 SS	4
3	140053	WASHER, FLAT, 0.28B .88D .12 SS	4
4	602543	BUMPER, 17" (17" MODELS)	1
	602545	BUMPER, 20" F/M (20" MODELS)	1
5	140824	SCREW, TRS, .25-20X0.62 PHL SS	2
6	140003	WASHER, 1/4X1 FNDR SS	2
∇ 7	130494	MOTOR, ELE, 120VAC 1.50HP	1
▲	190742	●CARBON BRUSH CARD ASM.	1
▲	22117	●MOTOR, BRUSH, ELE, REPLMT	4
▲	190753	●RECTIFIER, 60A/600V	1
▲	190744	●SPEED CONTROL	1
∇ 7	130488	MOTOR 1800/3200 (220V/230V 60HZ)	1
▲	600281	●ASM BRUSH CARD (220V/230V)	1
▲	190311	●BRUSH CARBON 1PC = 1 BRUSH (220V/230V)	4
▲	190312	●RECTIFIER (220V/230V)	1
▲	190745	●CONTROL, SPEED (220V/230V)	1
8	1028184	COVER, MOTOR, RM-TL	1

REF	PART #	DESCRIPTION	QTY.
9	611133	PLATE LATCH	1
10	140226	SCREW, HEX, .31-18X0.62 SS	4
11	140015	WASHER, LOCK, SPLT, 0.31 SS	4
12	130726	●SWITCH, TOGGLE	1
13	130990	●BOOT, RBR, SWITCH BLACK	1
14	120675	DECAL, POLY-SPDSHN OPRTN/DS	1
15	1027334	BASE, 17" RM-GRAY	1
	1027336	BASE, 20" RM-GRAY	1
16	608909	AXLE, .5DX10.040	1
17	4252	WASHER, FLAT .50 COMPRESSION ZN	2
18	3148.816	WASHER, FLAT, 0.52B 0.88D .06, STL ZN	2
19	103066	●WHEEL, 4.0D 1.50W .50B GRAY	2
20	103019	CAP, HUB, WHEEL, 0.51D SS	2
21	130198	PLUG, PRY OUT .500 OD - BLACK	1
22	140046	WASHER, 1.00X.392X.090 SS	4
23	140015	WASHER, LOCK SPLT 0.31 SS	4
24	140216	SCREW, HEX, .31-18X1.50 SS	4

- ∇ ASSEMBLY / CONJUNTO / ENSEMBLE
- ▲ INCLUDED IN ASSEMBLY / INCLUIDO A CONJUNTA / Y COMPRIS EN ENSEMBLE
- RECOMMENDED STOCK ITEM / PIEZAS RECOMENDADAS EN ALMACÉN / ÉLÉMENTS DE STOCK RECOMMANDÉS

PARTS LIST - LISTA DE PIEZAS - LISTE DES PIÈCES

REPLACEMENT BRUSHES AND PAD DRIVER GROUP / CEPILLO DEL REEMPLAZO Y GRUPO DEL MANDO DE LA ALMOHADILLA / GROUPE REMPLACEMENT DES BROSSES ET DU PIGNON MENANT DE PATIN



REF	PART #	DESCRIPTION	QTY.
1	1035472	PAD DRIVER 17" (STD.)	1
	1035476	PAD DRIVER 20" (STD.)	1
∇ 2	605124	PAD HOLDER ASSY & C PLATE 17" SINGLE SPD & HD MODELS (OPT.)	1
	605123	PAD HOLDER ASSY & C PLATE 20" SINGLE SPD & HD MODELS (OPT.)	1
	603537	PAD DRIVER ASM 17" DUAL SPEED (15" PAD) (OPTIONAL)	1
	605225	PAD DRIVER ASM 20" DUAL SPEED (OPTIONAL)	1
▲ 3	603539	PLATE CLUTCH	1
4	603538	● LOCK CENTER GRAY (OPTIONAL)	1

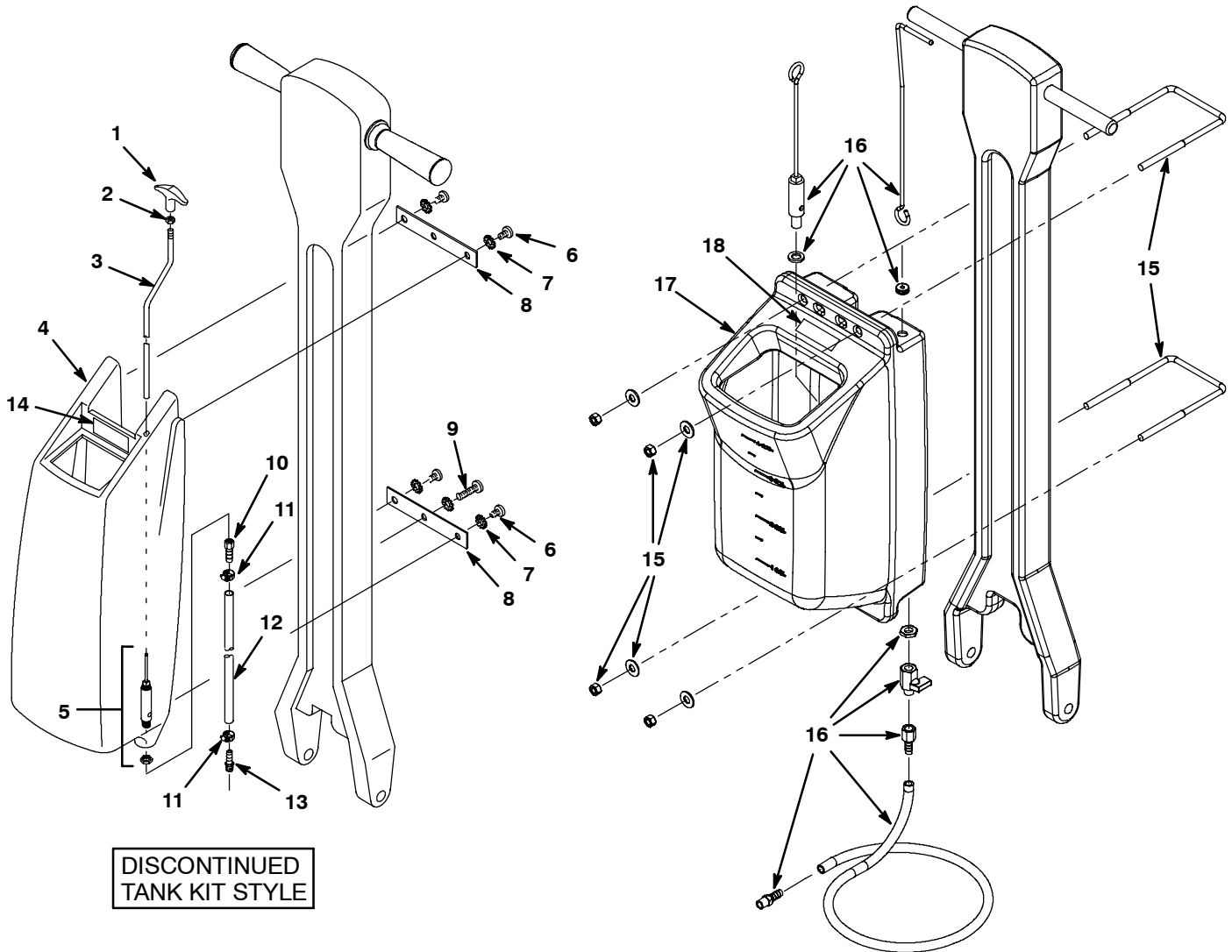
∇ ASSEMBLY / CONJUNTO / ENSEMBLE

▲ INCLUDED IN ASSEMBLY / INCLUIDO A CONJUNTA / Y COMPRIS EN ENSEMBLE

● RECOMMENDED STOCK ITEM / PIEZAS RECOMENDADAS EN ALMACÉN / ÉLÉMENTS DE STOCK RECOMMANDÉS

REF	PART #	DESCRIPTION	QTY.
5	240255	BRUSH, 17" DYNASCUB W/CLTCHPLT (OPTIONAL)	1
	240257	BRUSH, DYNASCUB 20" W/CLPT&RISR (OPTIONAL)	1
	240256	BRUSH, STR/GRIT SCRUB/STRIP 17" (OPTIONAL)	1
	240258	BRUSH, STR/GRIT SCRUB/STRIP 20" (OPTIONAL)	1
	604989	BRUSH, 15" ADJUST-A-GLIDE, FOR CARPET (OPTIONAL)	1
	607463	BRUSH, ADJUST-A-GLIDE, 18" DIA, FOR CARPET (OPTIONAL)	1
	1019262	BRUSH, POLY, 17" HARD FLOOR (OPTIONAL)	1
	1019263	BRUSH, POLY, 20" HARD FLOOR (OPTIONAL)	1

SOLUTION TANK GROUP / GRUPE DEL DEPÓSITO DE DISOLUCIÓN / ENSEMBLE DU RÉSERVOIR DE SOLUTION



DISCONTINUED
TANK KIT STYLE

REF	PART #	DESCRIPTION	QTY.
1	240194	KNOB, TEE, 5/16-18 FM THD BLK	1
2	140548	NUT 5/16 FINJAM SS	1
3	230399	ROD, VALVE SOLUTION TANK	1
4	1045875	TANK KIT, SOLTN, 4.0GAL NAT	1
▽	700197	VALVE, SOLTN, W/NUT AND ORG	1
▲	210216	VALVE, W/ NUT&O-RING	1
▲	210218	O-RING SEAL FOR VALVE	1
6	140885	SCREW, TRS, .25-20X0.50 PHL SS	4
7	140052	WASHER, LOCK, EXT, 0.25 SS	5
8	230475	BRACKET, SOLUTION TANK	2
9	140881	SCREW, TRS, .25-20X1.00 ZN	1

REF	PART #	DESCRIPTION	QTY.
10	150511	FITTING, BRS, STR, PF04/BM06	1
11	43844	CLAMP, HOSE, WORMDRIVE, 0.25-0.62D, .31W	2
12	606667	HOSE, PVC, WIR, 0.38ID 0.62OD 10.0L	1
13	150516	FITTING, BRS, STR, BM06/PM04	1
14	610722	LABEL, HZRD, FLMBL MATL, CE	1
▽	1045875	●TANK KIT, SOLTN, 4.0GAL NAT	1
▲	1046400	HDWR KIT, ATTMNT, FR/1045875	1
▲	1046399	PARTS KIT, TANK, SOLTN, FR/1045875	1
▲	1046398	TANK, SOLTN, NAT, FR/1045875	1
▲	610722	LABEL, HZRD, FLMBL MATL, CE	1

- ▽ ASSEMBLY / CONJUNTO / ENSEMBLE
- ▲ INCLUDED IN ASSEMBLY / INCLUIDO A CONJUNTA / Y COMPRIS EN ENSEMBLE
- RECOMMENDED STOCK ITEM / PIEZAS RECOMENDADAS EN ALMACÉN / ÉLÉMENTS DE STOCK RECOMMANDÉS