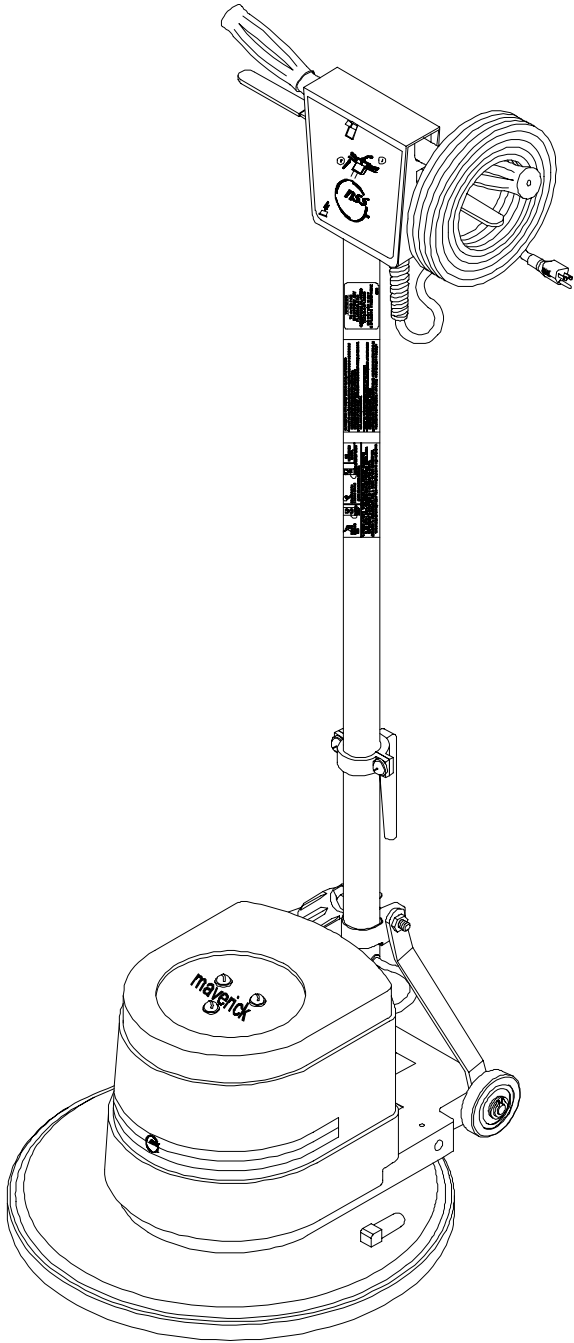


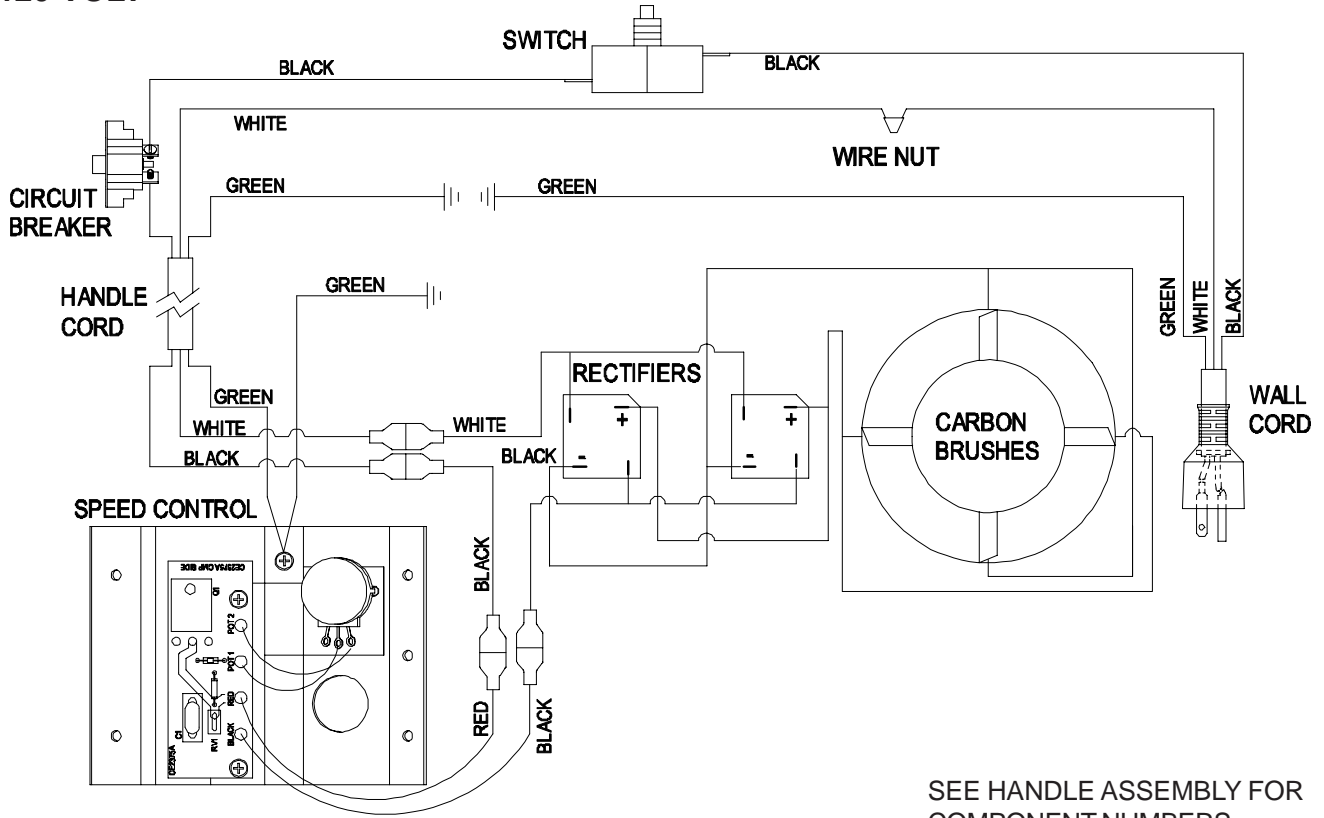
PARTS LIST

MAVERICK 300 STANDARD SPEED FLOOR MACHINE



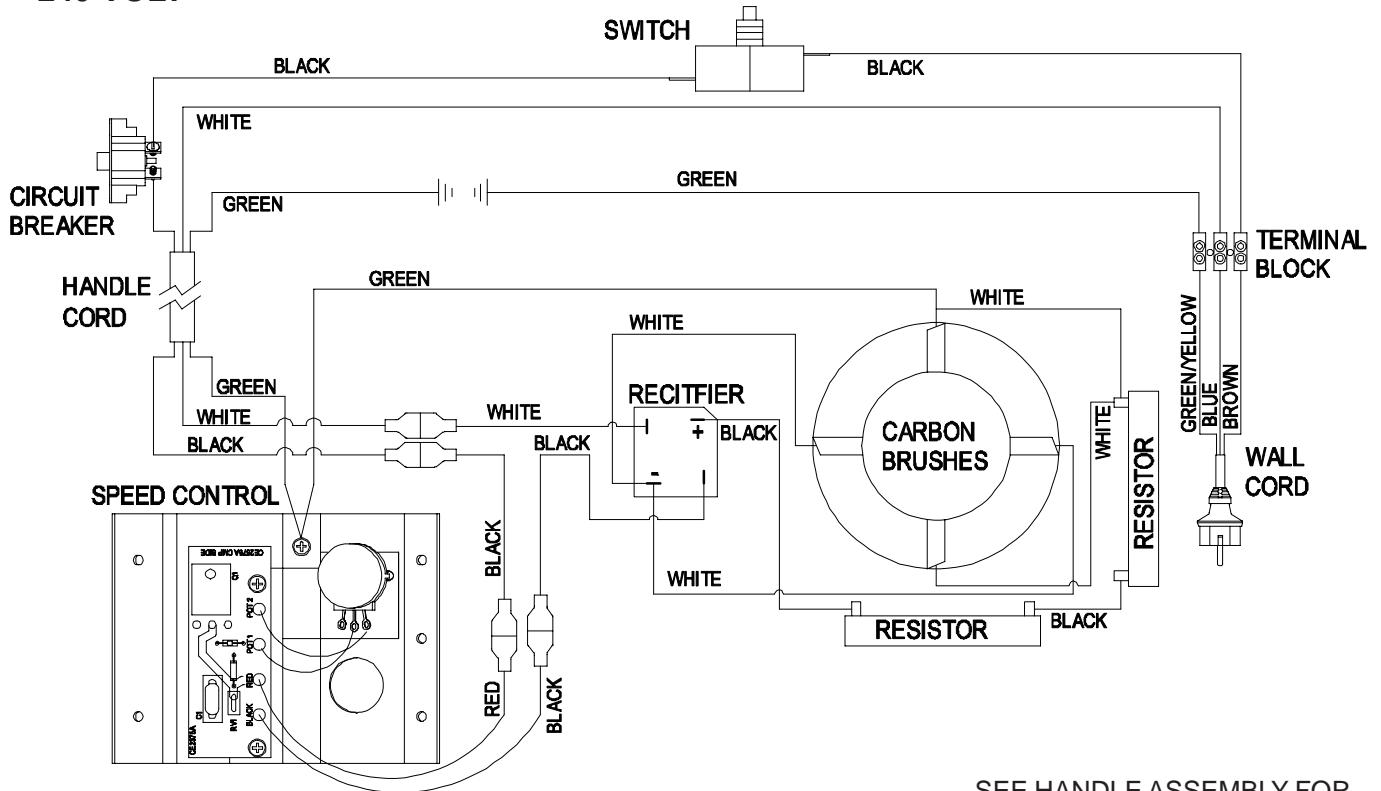
WIRE DIAGRAM - VARIABLE SPEED

120 VOLT



SEE HANDLE ASSEMBLY FOR
COMPONENT NUMBERS

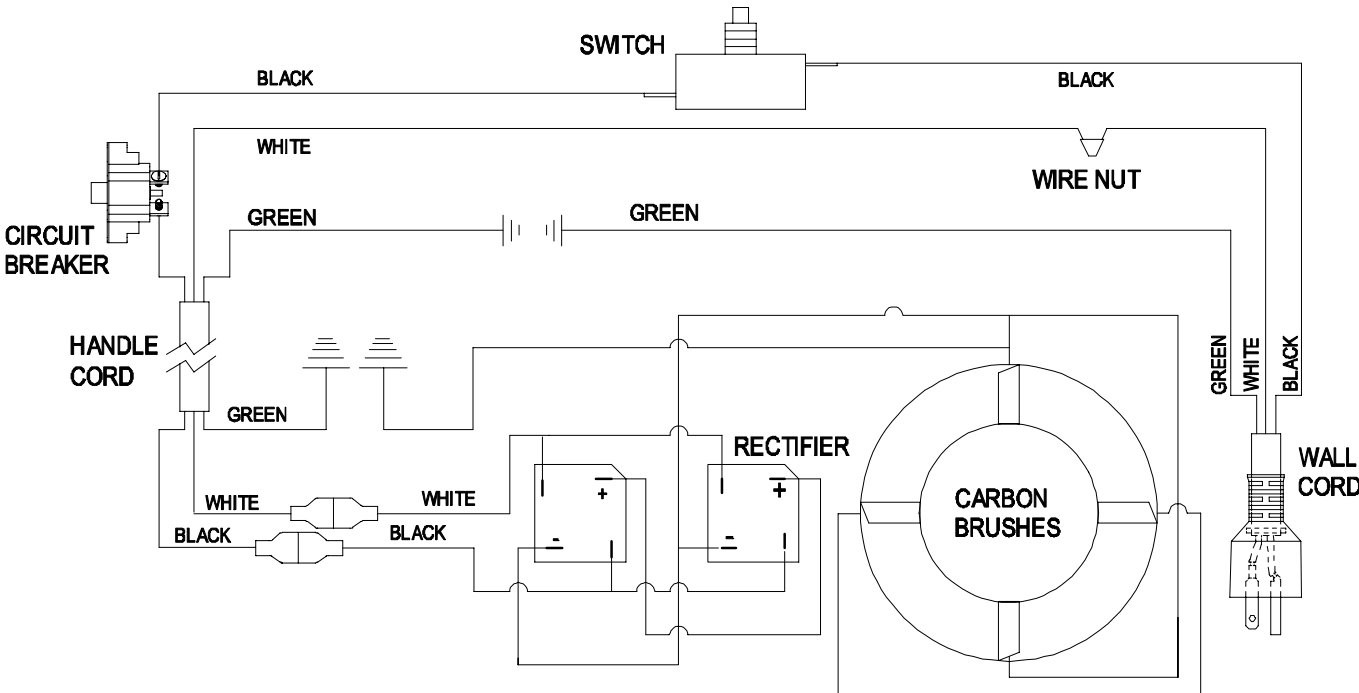
240 VOLT



SEE HANDLE ASSEMBLY FOR
COMPONENT NUMBERS

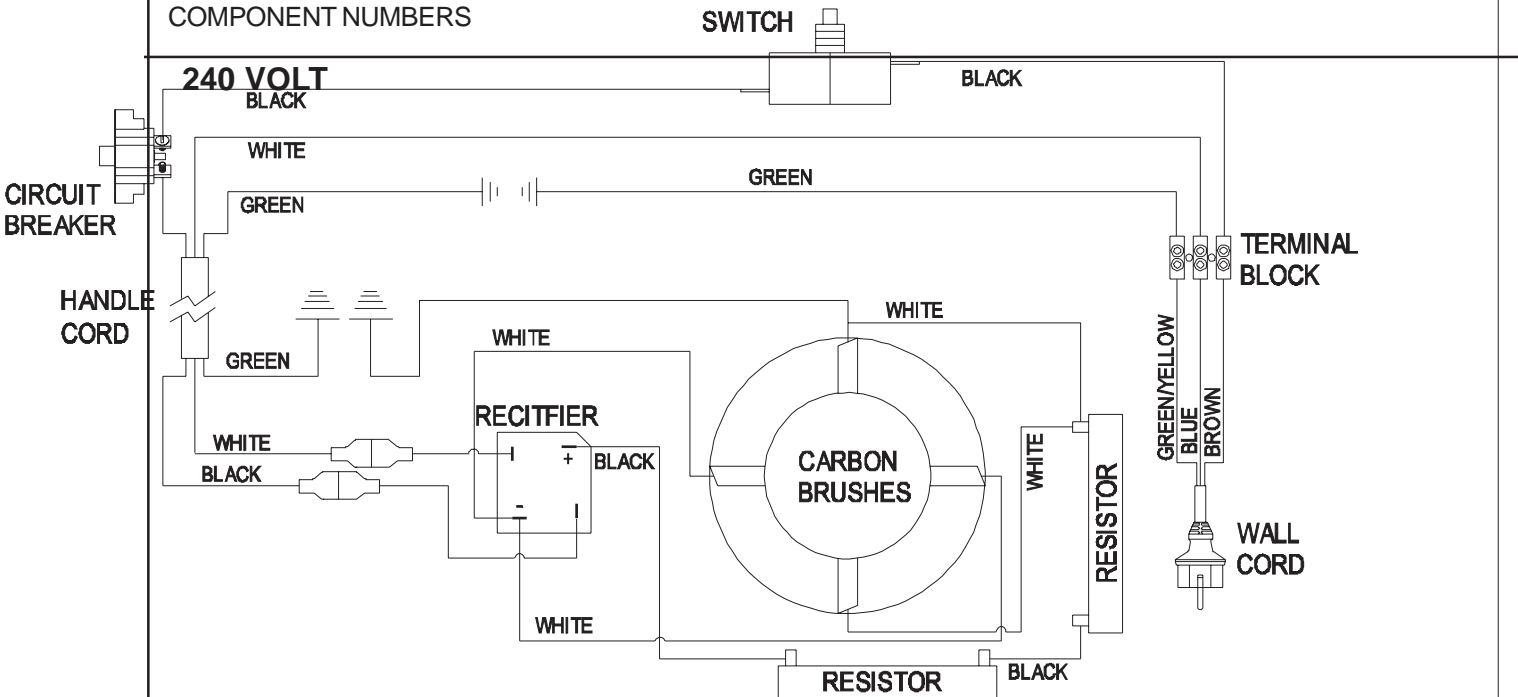
WIRE DIAGRAM - SINGLE SPEED

120 VOLT



SEE HANDLE ASSEMBLY FOR COMPONENT NUMBERS

240 VOLT

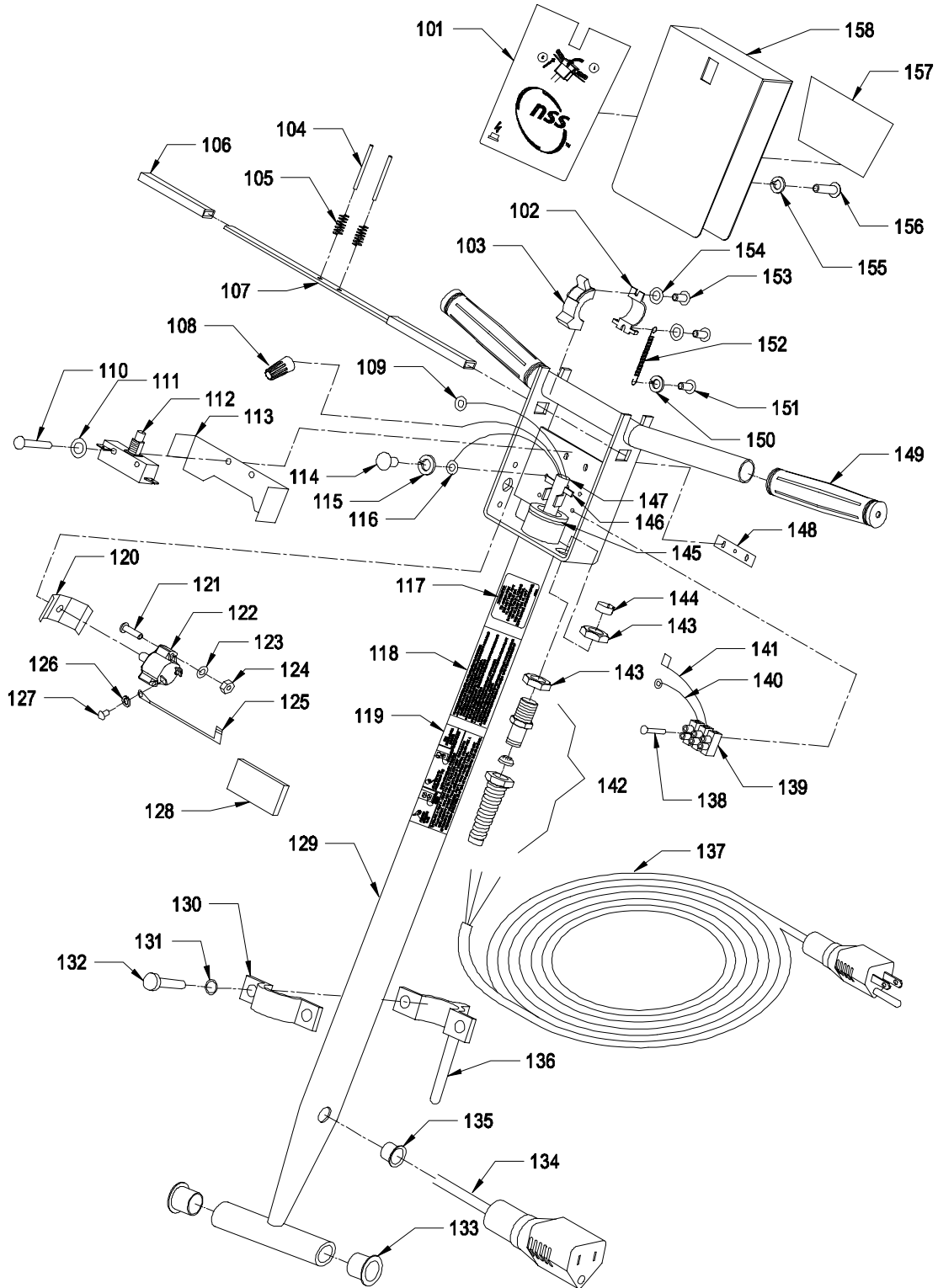


SEE HANDLE ASSEMBLY FOR COMPONENT NUMBERS

HANDLE ASSEMBLY

| <u>ITEM</u> | <u>PART NO.</u> | <u>PART DESCRIPTION</u> | <u>QTY.</u> |
|--------------------|------------------------|--------------------------------------------------------------|--------------------|
| | 5490189 | HANDLE ASSEMBLY - 120 VOLT | 1 |
| | 5490679 | HANDLE ASSEMBLY - 240 VOLT | 1 |
| 101 | 5392421 | DECAL - "SWITCH BOX - CIRCUIT BREAKER ICON" | 1 |
| 102 | 5390756 | LOCKOUT BRACKET | 1 |
| 103 | 5390762 | LOCK OUT | 1 |
| 104 | 9120828 | 1/8 X 1 3/4 ROLL PIN | 2 |
| 105 | 5390171 | SWITCH LEVER SPRING | 2 |
| 106 | 5390541 | GRIP - SWITCH LEVER | 2 |
| 107 | 5390776 | SWITCH LEVER | 1 |
| 108 | 5391321 | WIRE NUT - ORANGE | 1 |
| 109 | 0294031 | # 8 RING TERMINAL - 120 VOLT ONLY | 1 |
| | 5092331 | FLAG TERMINAL - CRIMP ON - 240 VOLT ONLY | 1 |
| 110 | 9120100 | 6-32 X 1 ROUND HEAD PHILLIPS MACHINE SCREW | 2 |
| 111 | 9120130 | 6 EXTERNAL STAR LOCK WASHER | 2 |
| 112 | 5390211 | SWITCH | 1 |
| 113 | 5390361 | SWITCH INSULATOR | 1 |
| 114 | 9120380 | 10-24 X 3/8 ROUND HEAD PHILLIPS MACHINE SCREW | 1 |
| 115 | 9120320 | 10 SPLIT LOCK WASHER | 1 |
| 116 | 0298981 | # 10 RING TERMINAL 14-16 GAGE | 1 |
| 117 | 5392401 | DECAL - "WARNING - FIRE" | 1 |
| 118 | 0190901 | DECAL - "WARNING" - 120 VOLT ONLY | 1 |
| | 0190921 | DECAL - "ICON ADAPTOR" LABEL - 240 VOLT ONLY | 1 |
| 119 | 0190911 | DECAL - "GROUNDING" LABEL - 120 VOLT ONLY | 1 |
| 120 | 5490441 | INSULATION - BREAKER LEAD | 1 |
| 121 | 9120430 | 10-24 X 3/4 ROUND HEAD PHILLIPS MACHINE SCREW | 2 |
| 122 | 5490401 | 20 AMP CIRCUIT BREAKER - 120 VOLT ONLY | 1 |
| | 5294581 | 8 AMP CIRCUIT BREAKER - 240 VOLT ONLY | 1 |
| 123 | 9120320 | 10 SPLIT LOCK WASHER | 1 |
| 124 | 9120360 | 10-24 HEX NUT WITH STAR LOCK WASHER | 2 |
| 125 | 5490451 | CIRCUIT BREAKER LEAD - 4" | 1 |
| 126 | 9120200 | 8 SPLIT LOCK WASHER | 1 |
| 127 | 9120223 | 8-32 X 1/4 PAN HEAD PHILLIPS MACHINE SCREW | 1 |
| 128 | 5390511 | FOAM PAD | 1 |
| 129 | 5391891 | HANDLE | 1 |
| 130 | 5091636 | CORD HOOK CLAMP | 1 |
| 131 | 9120880 | 1/4 SPLIT LOCK WASHER | 2 |
| 132 | 9121010 | 1/4-20 X 3/4 TRUSS HEAD PHILLIPS MACHINE SCREW | 2 |
| 133 | 5090441 | NYLON BUSHING | 2 |
| 134 | 5490151 | HANDLE CORD | 1 |
| 135 | 5293131 | GROMMET | 1 |
| 136 | 5091682 | CORD HOOK | 1 |
| 137 | 5293791 | CORD - 75 FEET - 14-3 - 120 VOLT ONLY | 1 |
| | 0299671 | SHUKO CORD - 75 FEET - 16-3 - 240 VOLT ONLY | 1 |
| 138 | 9120080 | 6-32 X 3/4 ROUND HEAD PHILLIPS MACHINE SCREW - 240 VOLT ONLY | 1 |
| 139 | 5391931 | TERMINAL BLOCK - 240 VOLT ONLY | 1 |
| 140 | 5391921 | WIRE - GROUND - 240 VOLT ONLY | 1 |
| 141 | 5391911 | WIRE - DEAD MAN - 240 VOLT ONLY | 1 |
| 142 | 5091671 | STRAIN RELIEF - 120 VOLT | 1 |
| | 0299531 | STRAIN RELIEF - 240 VOLT | 1 |
| 143 | 5390261 | STRAIN RELIEF NUT - 120 VOLT | 2 |
| | 0891131 | STRAIN RELIEF NUT - 240 VOLT | 1 |
| 144 | 5092371 | STRAIN RELIEF CORD CLAMP - 120 VOLT | 1 |
| | 0299661 | STRAIN RELIEF CORD CLAMP - 240 VOLT | 1 |
| 145 | 5091656 | 7/8 I.D. X 1 3/8 O.D. X .112 THICK FLAT WASHER | 1 |
| 146 | 5091661 | CORD CLAMP | 1 |
| 147 | 8791070 | VINYL HOSE | 1 |
| 148 | 9120025 | 6-32 DOUBLE HOLE SWITCH SPEED NUT | 1 |
| 149 | 5091611 | HANDLE GRIP | 2 |
| 150 | 9120320 | 10 SPLIT LOCK WASHER | 1 |

HANDLE ASSEMBLY

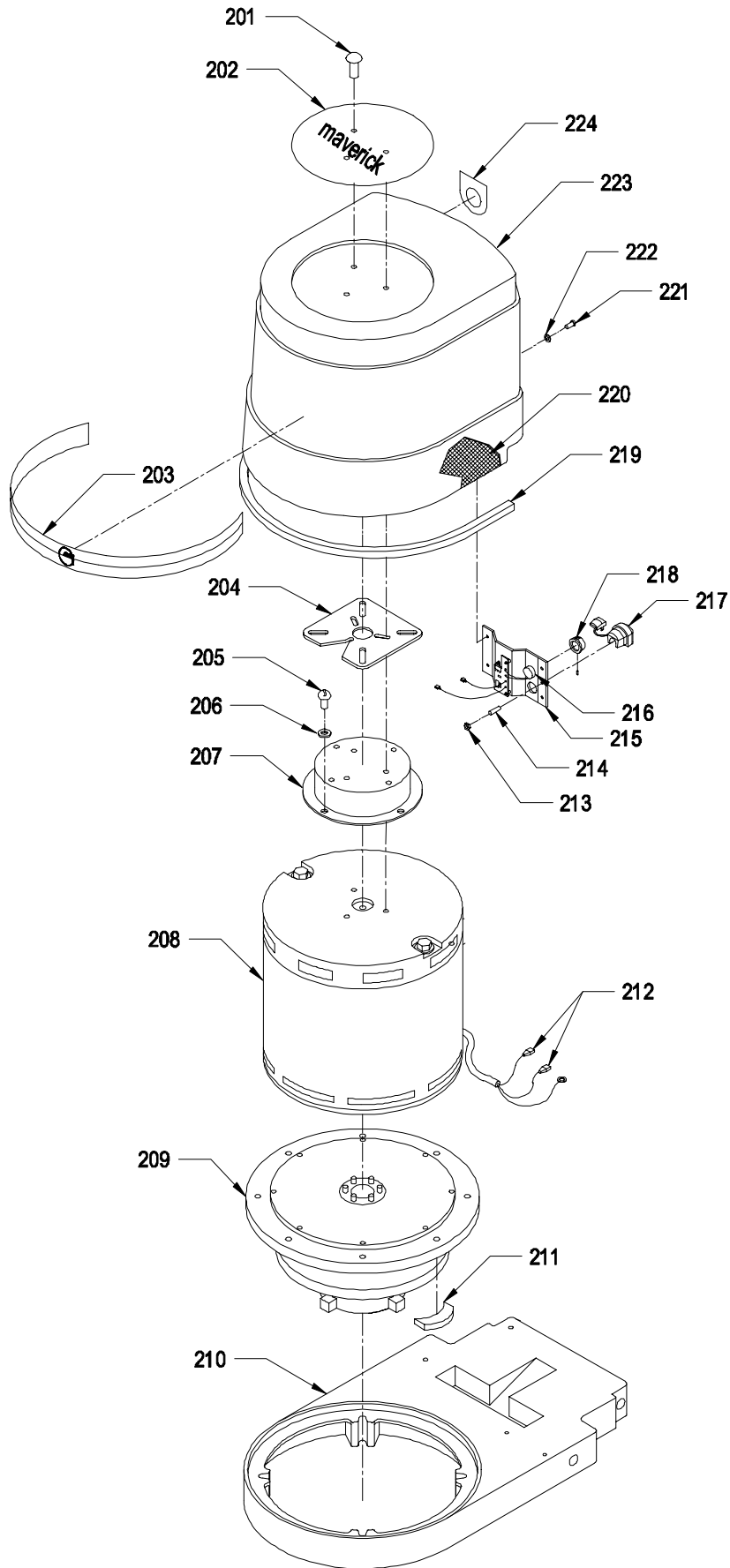


| | | | |
|-----|---------|-----------------------------------------------|---|
| 151 | 9120380 | 10-24 X 3/8 ROUND HEAD PHILLIPS MACHINE SCREW | 1 |
| 152 | 5092561 | SPRING | 1 |
| 153 | 9120050 | 6-32 X 5/16 ROUND HEAD PHILLIPS MACHINE SCREW | 2 |
| 154 | 9120130 | 6 EXTERNAL STAR LOCK WASHER | 2 |
| 155 | 9120320 | 10 SPLIT LOCK WASHER | 1 |
| 156 | 9120430 | 10-24 X 3/4 ROUND HEAD PHILLIPS MACHINE SCREW | 1 |
| 157 | 5392471 | DECAL - "OPERATION" | 1 |
| 158 | 5391873 | SWITCH BOX COVER | 1 |

UPPER BASE ASSEMBLY

| <u>ITEM</u> | <u>PART NO.</u> | <u>PART DESCRIPTION</u> | <u>QTY.</u> |
|--------------------|------------------------|-----------------------------------------------|--------------------|
| 201 | 9120510 | 10-24 X 1/2 TRUSS HEAD PHILLIPS MACHINE SCREW | 3 |
| 202 | 5392281 | DECAL KIT - "TOP COVER" | 1 |
| 203 | 5392281 | DECAL KIT - "FRONT STRIP" | 1 |
| 204 | 5293951 | CORK PAD | 1 |
| 205 | 9120220 | 8-32 X 3/8 ROUND HEAD PHILLIPS MACHINE SCREW | 4 |
| 206 | 9120180 | 8 INTERNAL STAR LOCK WASHER | 4 |
| 207 | 5490113 | STANDOFF | 1 |
| | 5490019 | MOTOR AND GEAR - 120 VOLT - 1 1/2 H.P. | 1 |
| 208 | 5490021 | MOTOR ONLY - 120 VOLT - 1 1/2 H.P. | 1 |
| 209 | 5490031 | GEAR ONLY - 3 IDLER | 1 |
| | 5490719 | MOTOR AND GEAR - 240 VOLT - 1 1/2 H.P. | 1 |
| 208 | 5490701 | MOTOR ONLY - 240 VOLT - 1 1/2 H.P. | 1 |
| 209 | 5490031 | GEAR ONLY - 3 IDLER | 1 |
| 210 | 5390013 | BASE | 1 |
| 211 | 5091691 | RUBBER PAD | 4 |
| 212 | 5490161 | FULLY INSULATED FEMALE TERMINAL 14-16 GAGE | 2 |
| 213 | 9120690 | 10-32 HEX NUT WITH STAR LOCK WASHER | 1 |
| 214 | 9120650 | 10-32 X 3/4 SET SCREW - CUP POINT | 1 |
| 215 | 5490079 | SPEED CONTROL - 120 VOLT - INCLUDES: | 1 |
| | 5490061 | SPEED CONTROL BRACKET | 1 |
| 216 | 5490241 | POTENTIOMETER | 1 |
| 215 | 5490641 | SPEED CONTROL - 240 VOLT - INCLUDES: | 1 |
| | 5490061 | SPEED CONTROL BRACKET | 1 |
| 216 | 5490241 | POTENTIOMETER | 1 |
| 217 | 5293941 | HEYCO STRAIN RELIEF | 1 |
| 218 | 5490131 | KNOB WITH SET SCREW | 1 |
| 219 | 8891080 | 3/16" X 5/16" NEOPRENE GASKET | 2 |
| 220 | 5490191 | FELT - INSIDE COVER | 1 |
| 221 | 9120740 | 10-32 X 3/8 TRUSS HEAD PHILLIPS MACHINE SCREW | 4 |
| 222 | 9120495 | 10 INTERNAL STAR LOCK WASHER | 4 |
| 223 | 5490041 | MOTOR COVER WITH BAFFLE | 1 |
| 224 | 5392281 | DECAL KIT - "SPEED CONTROL" | 1 |

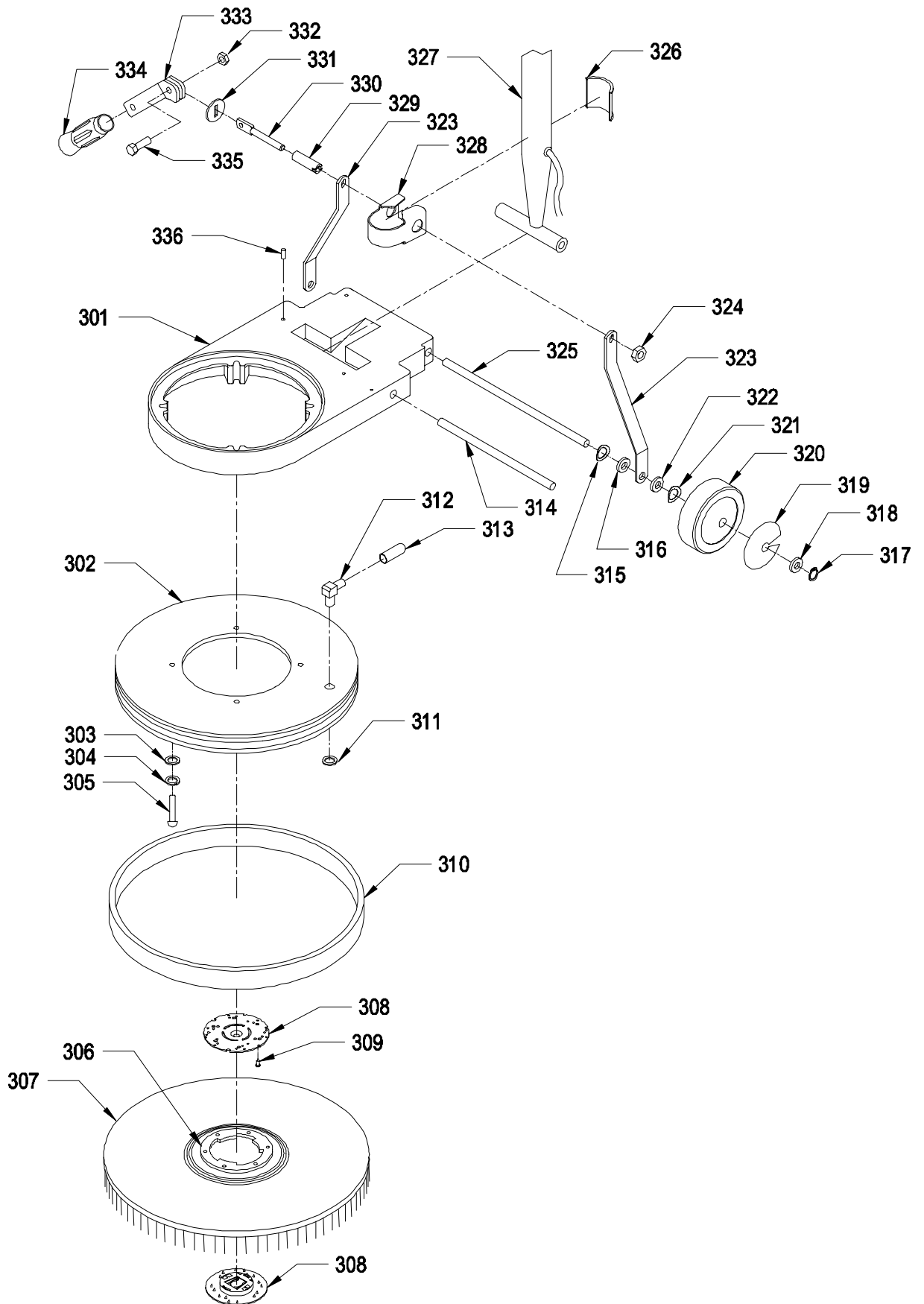
UPPER BASE ASSEMBLY



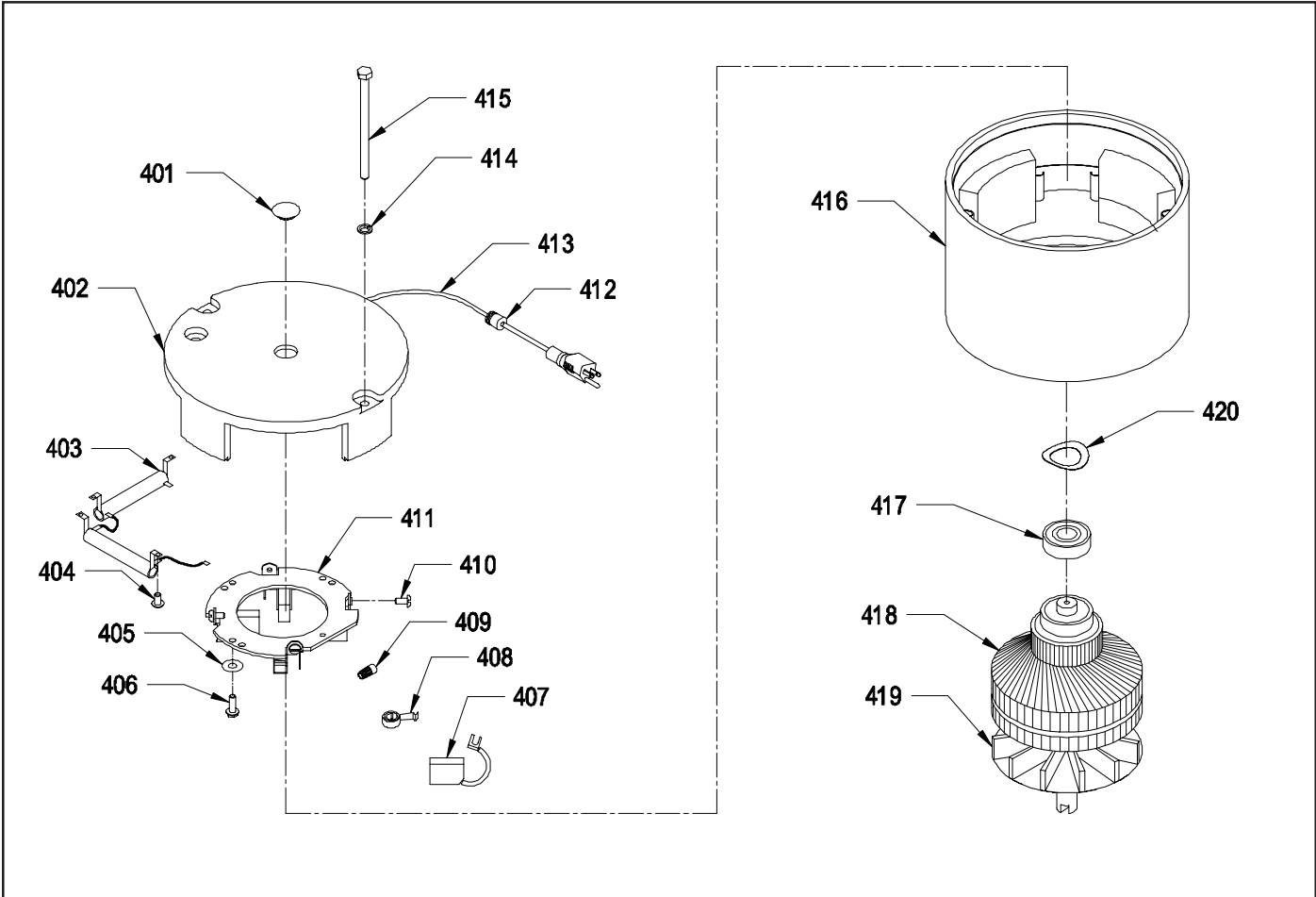
LOWER BASE ASSEMBLY

| <u>ITEM</u> | <u>PART NO.</u> | <u>PART DESCRIPTION</u> | <u>QTY.</u> |
|-------------|-----------------|--------------------------------------------------------------|-------------|
| 301 | 5390013 | BASE | 1 |
| 302 | 5090045 | SKIRT - 17" | 1 |
| | 5090065 | SKIRT - 20" | 1 |
| 303 | 9121390 | 11/32 I.D. X 11/16 O.D. X .051/.080 THICK FLAT WASHER (5/16) | 4 |
| 304 | 9121520 | 5/16 SPLIT LOCK WASHER | 4 |
| 305 | 9121545 | 5/16-18 X 2 1/2 SOCKET HEAD CAP SCREW | 4 |
| 306 | 2890971 | PLASTIC CLUTCH PLATE - 5" DIAMETER - 6 HOLES - BLACK | 1 |
| 307 | 2897551 | 17" HIGH SPEED PAD DRIVER | 1 |
| | 2892551 | 20" HIGH SPEED PAD DRIVER | 1 |
| 308 | 5990731 | SPRING CLIP PAD HOLDER SET - INCLUDES: | 1 |
| 309 | 9120790 | 10 X 5/8 PAN HEAD PHILLIPS SHEET METAL SCREW | 3 |
| 310 | 5090371 | BUMPER - 17" | 1 |
| | 5090401 | BUMPER - 20" | 1 |
| 311 | 5092641 | RETAINING RING | 1 |
| 312 | 5092632 | 90 DEGREE SOLUTION FEED TUBE | 1 |
| 313 | 5092531 | SOLUTION FEED TUBE CAP | 1 |
| 314 | 5390496 | HANDLE PIVOT BAR | 1 |
| 315 | 9122705 | 1/2 I.D. X 3/4 O.D. X .01 THICK - 1 WAVE SPRING WASHER (1/2) | 2 |
| 316 | 5390811 | 1/2 I.D. X 1 O.D. X .07 THICK FLAT WASHER - NYLATRON | 2 |
| 317 | 5091701 | RETAINING RING | 2 |
| 318 | 9122465 | .516 I.D. X .813 O.D. X .027/.030 THICK FLAT WASHER | 2 |
| 319 | 5392281 | DECAL KIT - "WHEEL COVER" | 1 |
| 320 | 5092591 | WHEEL - 5" - WITH PLASTIC BEARING | 2 |
| 321 | 9122705 | 1/2 I.D. X 3/4 O.D. X .01 THICK - 1 WAVE SPRING WASHER (1/2) | 2 |
| 322 | 5390811 | 1/2 I.D. X 1 O.D. X .07 THICK FLAT WASHER - NYLATRON | 2 |
| 323 | 5390026 | HANDLE BRACE | 2 |
| 324 | 9122140 | 3/8-16 HEX NUT WITH NY-LOK INSERT | 1 |
| 325 | 5390136 | AXLE | 1 |
| 326 | 5390826 | TUBE CLAMP SHOE | 1 |
| 327 | 5391891 | HANDLE | 1 |
| 328 | 5390043 | TUBE CLAMP | 1 |
| 329 | 5390201 | RUBBER TUBING | 1 |
| 330 | 5390151 | FLATTENED CLAMP BOLT | 1 |
| 331 | 5390146 | SLOTTED WASHER | 1 |
| 332 | 9121420 | 5/16-18 HEX NUT | 1 |
| 333 | 5390056 | CLAMP LEVER | 1 |
| 334 | 5091621 | HANDLE GRIP | 1 |
| 335 | 9121680 | 5/16-18 X 1 HEX BOLT | 1 |
| 336 | 9120850 | 1/4-20 X 5/16 SET SCREW - KNURL POINT | 1 |

LOWER BASE ASSEMBLY

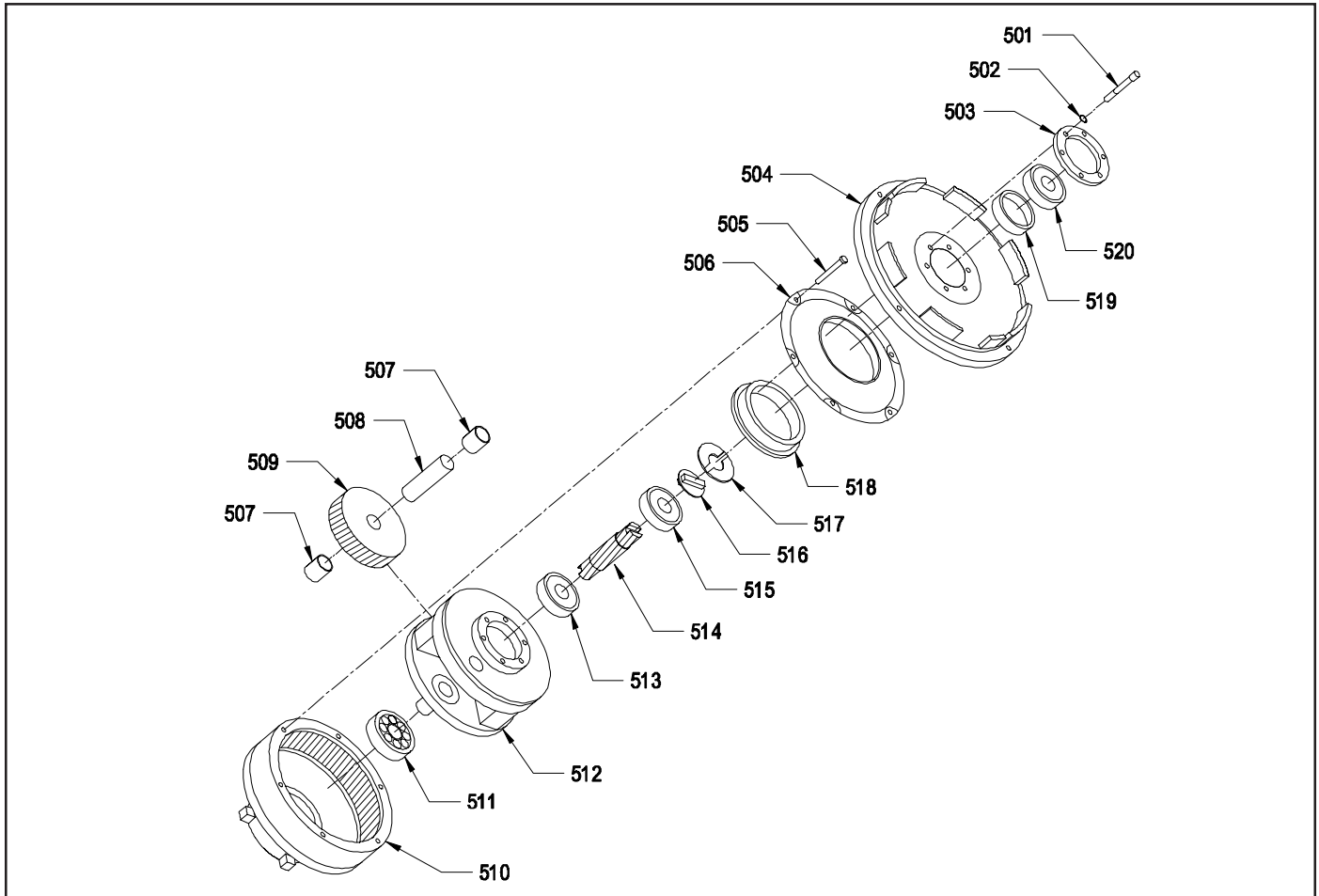


MOTOR ASSEMBLY



| <u>ITEM</u> | <u>PART NO.</u> | <u>PART DESCRIPTION</u> | <u>QTY.</u> |
|-------------|-----------------|-----------------------------------------------------------------------|-------------|
| 401 | — | PLUG - NOT AVAILABLE | 1 |
| 402 | 5294401 | TOP END BELL ASSEMBLY WITH PIGTAIL | 1 |
| | 5294111 | TOP END BELL ONLY | 1 |
| 403 | 5492741 | RECTIFIER - 60 AMP | 2 |
| 404 | 9120260 | 8-32 X 3/4 ROUND HEAD PHILLIPS MACHINE SCREW | 1 |
| 405 | 9120330 | 10 EXTERNAL STAR LOCK WASHER | 2 |
| 406 | 9120771 | 10-32 X 5/8 PAN HEAD PHILLIPS MACHINE SCREW | 2 |
| 407 | 5294051 | CARBON BRUSHES | 4 |
| 408 | 5293881 | BRUSH SPRING | 4 |
| 409 | 5391321 | WIRE NUT - ORANGE | 1 |
| 410 | 9120560 | 10-24 X 1/4 BINDING HEAD SLOT MACHINE SCREW - BRASS | 4 |
| 411 | 5490421 | BRUSH RING ASSEMBLY WITH DUAL RECTIFIERS | 1 |
| 412 | 5293941 | HEYCO STRAIN RELIEF | 1 |
| 413 | 5990511 | CORD | 1 |
| 414 | 9120880 | 1/4 SPLIT LOCK WASHER | 2 |
| 415 | 5492801 | 1/4-20 X 7 HEX WASHER HEAD THRU BOLT | 2 |
| 416 | 5294121 | FRAME WITH MAGNETS | 1 |
| 417 | 5092041 | BEARING - TOP | 1 |
| 418 | 5294131 | ARMATURE AND VENT FAN ASSEMBLY - 120 VOLT | 1 |
| | 5294741 | ARMATURE AND VENT FAN ASSEMBLY - 240 VOLT | 1 |
| 419 | 4491731 | VENT FAN | 1 |
| 420 | 9123105 | 1 3/16 I.D. X 1 1/2 O.D. X .018 THICK - 2 WAVE SPRING WASHER (1 3/16) | 2 |

GEAR BOX ASSEMBLY



| ITEM | PART NO. | PART DESCRIPTION | QTY. |
|-------------|-----------------|--------------------------------------|-------------|
| 501 | 9120774 | 10-32 X 1 3/16 SOCKET HEAD CAP SCREW | 6 |
| 502 | 9120495 | 10 INTERNAL STAR LOCK WASHER | 6 |
| 503 | 5391021 | BEARING RETAINER PLATE | 1 |
| 504 | 5391101 | MOTOR END BELL | 1 |
| 505 | 9120430 | 10-24 X 3/4 ROUND HEAD MACHINE SCREW | 6 |
| 506 | 5391131 | GEAR HOUSING COVER | 1 |
| 507 | 5391171 | IDLER SHAFT BEARING | 6 |
| 508 | 5391181 | IDLER SHAFT | 3 |
| 509 | 5391191 | IDLER GEAR | 3 |
| 510 | 5391231 | GEAR HOUSING | 1 |
| 511 | 5391201 | LOWER BEARING | 1 |
| 512 | 5391161 | 3 IDLER CAGE | 1 |
| 513 | 5391031 | BEARING | 3 |
| 514 | 5391071 | PINION - 13 TEETH | 1 |
| 515 | 5391031 | BEARING | 3 |
| 516 | 5391051 | ODUM COUPLING | 1 |
| 517 | 5391251 | SHAFT WASHER | 1 |
| 518 | 5391141 | BEARING - GEAR HOUSING | 1 |
| 519 | 5391041 | BEARING SPACER | 1 |
| 520 | 5391031 | BEARING | 3 |

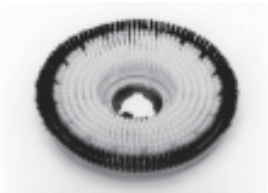
ACCESSORIES



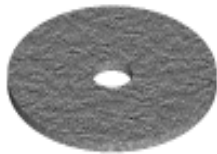
- 2890101 PLASTIC CLUTCH PLATE - 5" DIAMETER - 6 HOLES
- 2890981 PLASTIC CLUTCH PLATE - 4" DIAMETER - 3 HOLES
- 2890991 ALUMINUM CLUTCH PLATE - 5" DIAMETER - 6 HOLES
- 2893001 ALUMINUM CLUTCH PLATE - 4" DIAMETER - 3 HOLES



- 2897211 17" POLY BACK TUFTED PAD DRIVER
- 2897601 17" STRUCTURAL FOAM PAD DRIVER
- 2897201 17" POLY BACK NYLON FILL SCRUB BRUSH - LIGHT TO MEDIUM SCRUB
- 2897711 17" POLY BACK NYLON GRIT FILL SCRUB BRUSH - HEAVY CONCRETE SCRUB
- 2897821 17" POLY BACK NYLON - SOFT SCRUB BRUSH - CARPET ONLY
- 2897901 17" POLY BACK SCRUB GRIT BRUSH - MILD TO MEDIUM SCRUB



- 2892211 20" POLY BACK TUFTED PAD DRIVER
- 2892601 20" STRUCTURAL FOAM PAD DRIVER
- 2892201 20" POLY BACK NYLON FILL SCRUB BRUSH - LIGHT TO MEDIUM SCRUB
- 2892651 20" POLY BACK NYLON FILL SCRUB BRUSH - WITH GUIDE FOR CARPET SHAMPOOING
- 2892711 20" POLY BACK NYLON GRIT FILL SCRUB BRUSH - HEAVY CONCRETE SCRUB
- 2892031 20" PLASTIC BACK BASSINE SCRUB BRUSH - GENERAL SCRUB
- 2892701 20" POLY BRUSH - SHOWER FEED - STANDARD CARPET SCRUB
- 2892901 20" POLY BACK SCRUB GRIT BRUSH - MILD TO MEDIUM SCRUB



- NOTE: ALL PADS COME 5 PADS PER CASE
- 7991751 17" LITE BLUE POLISH/BURNISH PAD - SOFT FINISH
 - 7991741 17" UHS CLEAN BUFF PAD - REMOVE SCUFF MARKS NOT FINISH
 - 7991731 17" BLUE SCRUB PAD - TOP SCRUB AND LIGHT FINISH REMOVAL
 - 7991721 17" GREEN SCRUB PAD - HEAVY FINISH REMOVAL
 - 7991701 17" BLACK STRIP PAD - REMOVES FINISH COMPLETELY

- 7992051 20" LITE BLUE POLISH/BURNISH PAD - SOFT FINISH
- 7992041 20" UHS CLEAN BUFF PAD - REMOVE SCUFF MARKS NOT FINISH
- 7992031 20" BLUE SCRUB PAD - TOP SCRUB AND LIGHT FINISH REMOVAL
- 7992021 20" GREEN SCRUB PAD - HEAVY FINISH REMOVAL
- 7992001 20" BLACK STRIP PAD - REMOVES FINISH COMPLETELY
- 7992011 20" BROWN STRIP PAD - REMOVES FINISH COMPLETELY



- 2890201 SPRAY BUFF APPLICATOR - PUMP UP TYPE



- 5094751 DELUXE SOLUTION TANK - 4 GALLON WITH BRASS VALVES
- 5094761 DELUXE SOLUTION TANK - 2 GALLON WITH BRASS VALVES



NSS ® Enterprises, Inc.

3115 Frenchmens Road, Toledo, Ohio 43607
PHONE (419) 531-2121 FAX (419) 531-3761

NSS ® Enterprises, Inc. European Distribution Centre

Unit II, Pinfold Trading Estate * 55 Nottingham Road
STAPLEFORD, NOTTINGHAM NG9 8AD ENGLAND U.K.
PHONE: (44) 0115 939 1568 * FAX: (44) 0115 949 0615